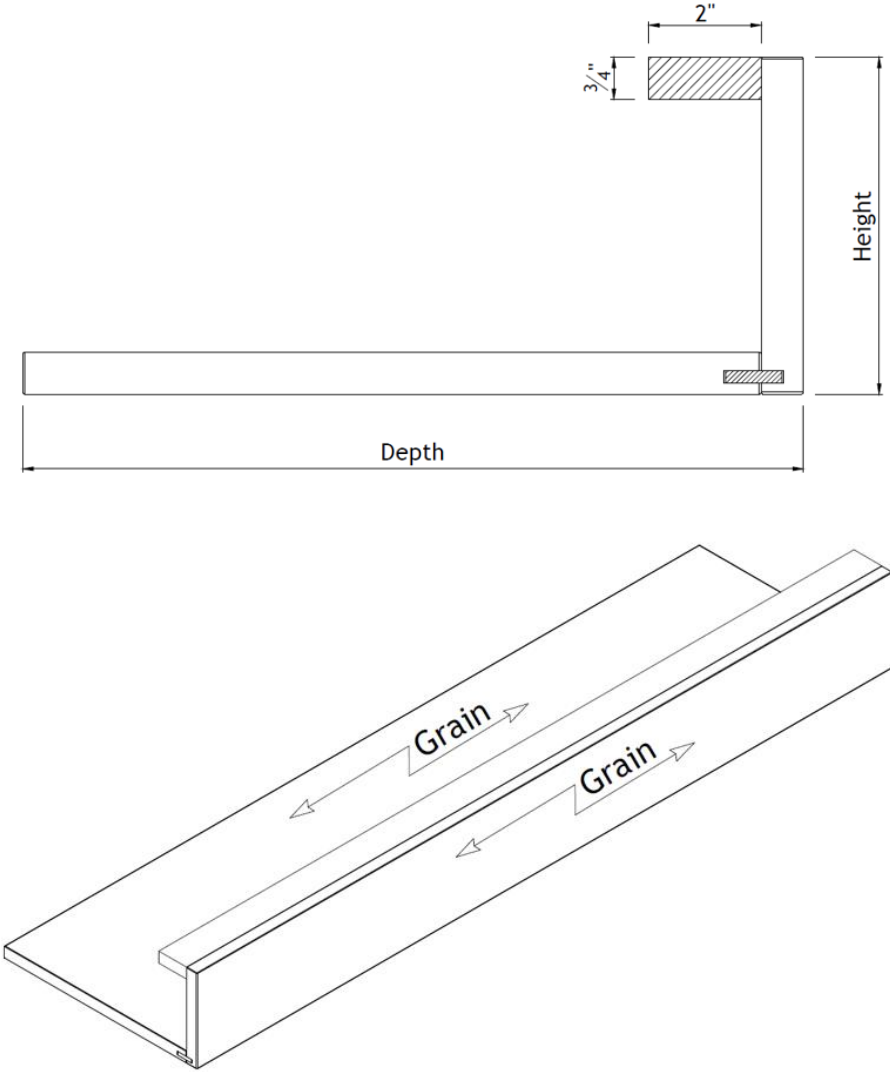


90° ANGLED FILLER PANEL - HORIZONTAL



NEW 90° ANGLED FILLER PANEL – FLUSH - HORIZONTAL

Introducing the new designed 90° angled filler panel - flush - horizontal, that will be shipped loose for ease of scribing to ceiling. After scribing the front filler piece, glue and connect the two pieces using the 1/4" MDF unfinished spline on site, which makes a strong and even joint. A 2" cleat is included for installation. The designer or installer can choose to have a flush reveal or 1/8" reveal to help with the design. This comes in horizontal grain only. As an option the designer can add lighting modifications to improve the Zonavita design.



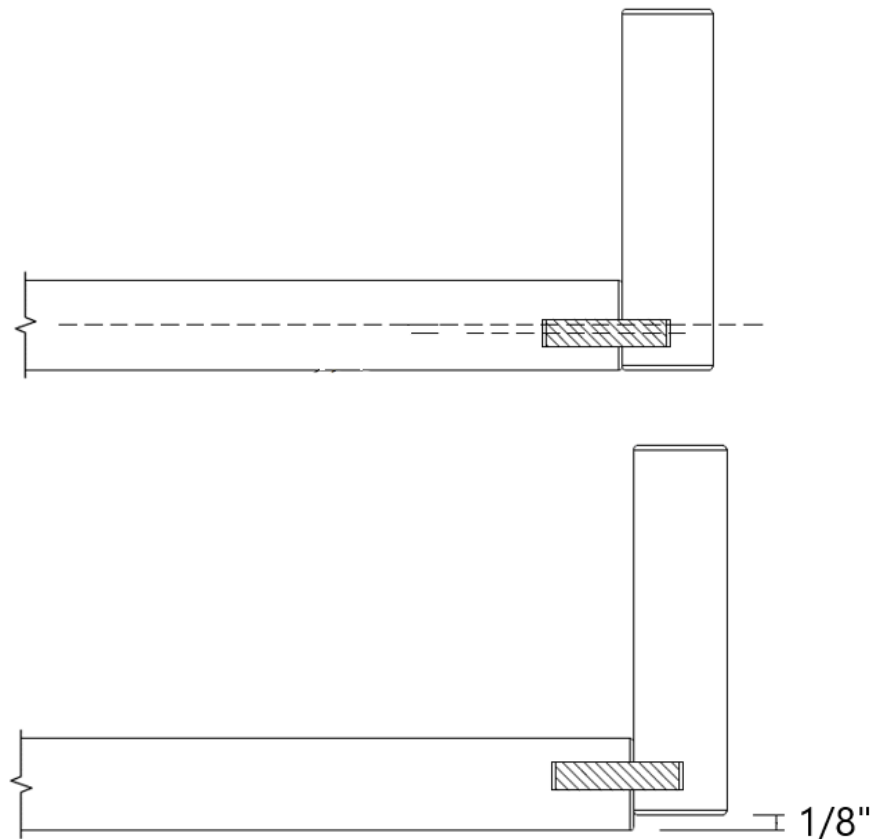
90° ANGLED FILLER PANEL - HORIZONTAL

ZONAVITA

FOR MODERN LIFE

POSSIBLE REVEAL OPTION:

- Depending on the orientation of the back piece, a 1/8" reveal can be created
- Since the parts ship loose, the installer can decide on site if they need the 1/8" reveal or flush reveal by rotating the back part accordingly



- The 1/8" reveal option is not possible with UV Lacquer since UV Lacquer is only available on one side.
- The 1/8" reveal option is not possible if lighting mods are applied.

90° ANGLED FILLER PANEL - HORIZONTAL

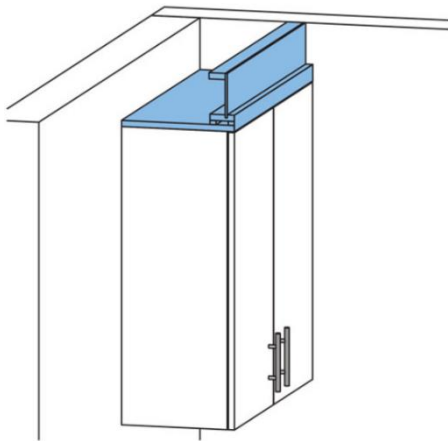
ZONAVITA

FOR MODERN LIFE

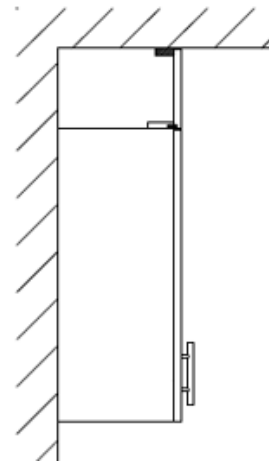
STEP DESIGN OR FLUSH DESIGN:

- Designers can choose between the old, step design or new, flush design

STEP DESIGN

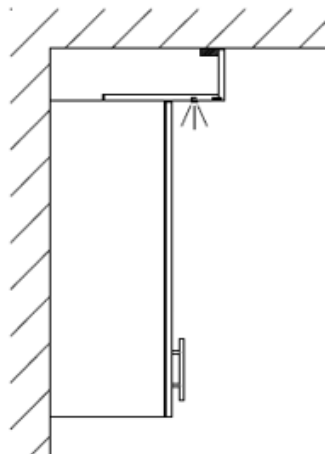


FLUSH DESIGN



OPTIONAL LIGHTING AS MODIFICATION:

- Designers can choose to add lighting to enhance the Zonavita design



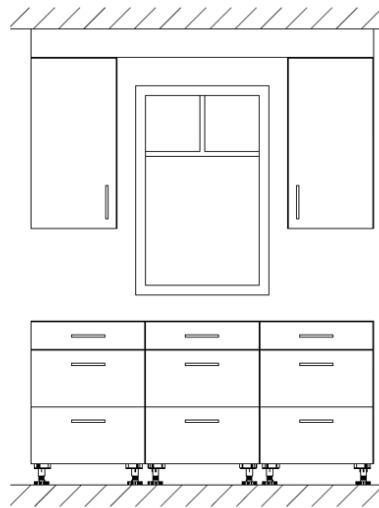
90° ANGLED FILLER PANEL - HORIZONTAL

ZONAVITA

FOR MODERN LIFE

OPTIONAL OVER WINDOW PANEL:

- Designers can use as an over window panel



BENEFITS:

- Designers can choose between step or flush design
- Parts shipped loose to provide ease of installing
 - Easier to scribe
 - Installer can create flush reveal or 1/8" reveal
- No mitre cuts
 - Avoids dangerously sharp edges that can be easily dented
 - Mitre cuts can also open up over time
- Banded on all edges
 - Protects the panel from dents
- Option to add lighting as a modification
- Option to use as an over window panel