

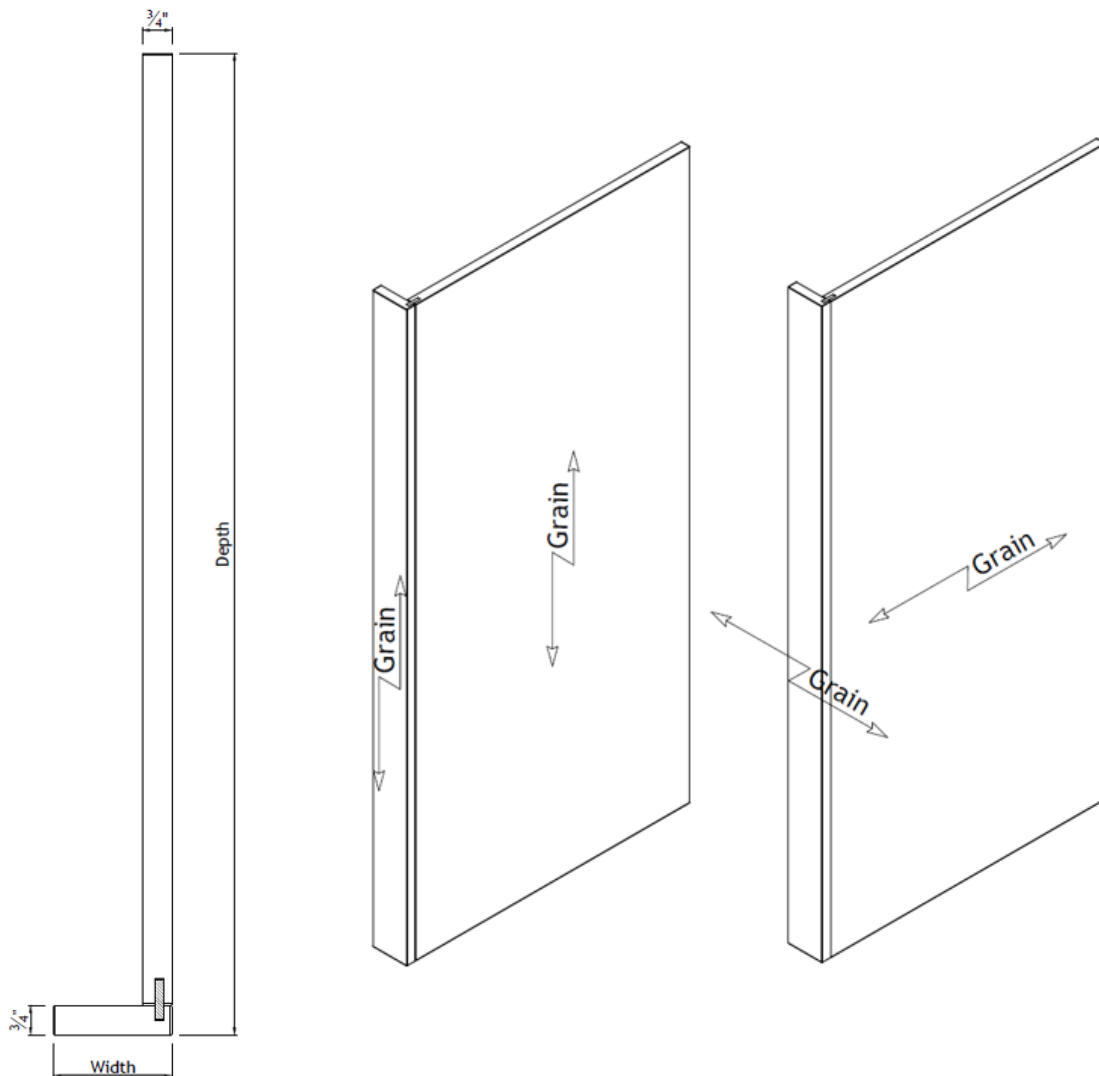
90° ANGLED FILLER PANEL

ZONAVITA

FOR MODERN LIFE

NEW 90° ANGLED FILLER PANEL - FLUSH

Introducing the new designed 90° angled filler panel - flush, that will be shipped loose for ease of scribing to wall. After scribing the front filler piece, glue and connect the two pieces using the 1/4" MDF unfinished spline on site, which makes a strong and even joint. The designer or installer can choose to have a flush reveal or 1/8" reveal to help with the design. The grain will match the door style, which was not possible with the current step design.



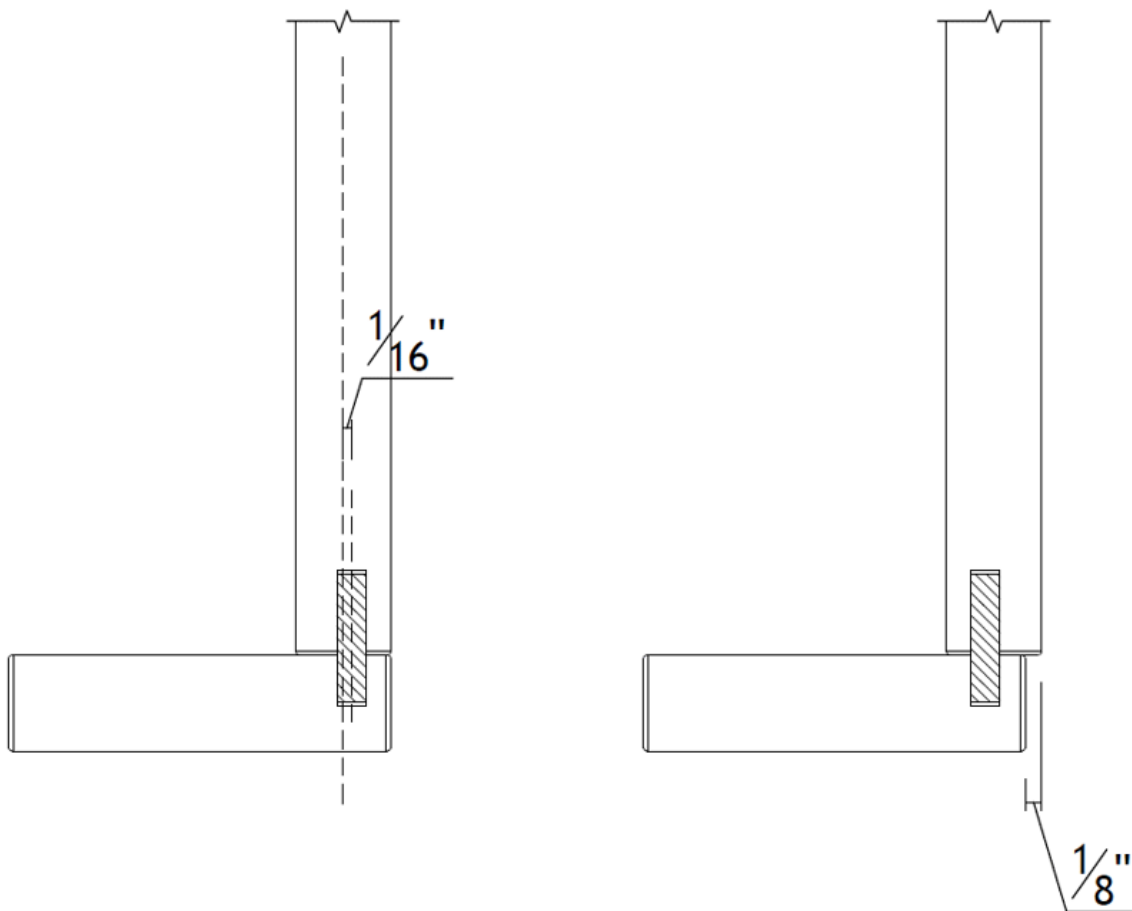
90° ANGLED FILLER PANEL

ZONAVITA

FOR MODERN LIFE

POSSIBLE REVEAL OPTION:

- Depending on the orientation of the back piece, a 1/8" reveal can be created
- Since the parts ship loose, the installer can decide on site if they need the 1/8" reveal or flush reveal by rotating the back part accordingly



- The 1/8" reveal option is not possible with UV Lacquer since UV Lacquer is only available on one side.

90° ANGLED FILLER PANEL

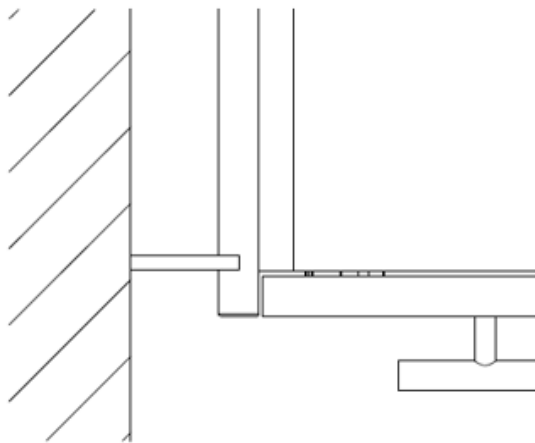
ZONAVITA

FOR MODERN LIFE

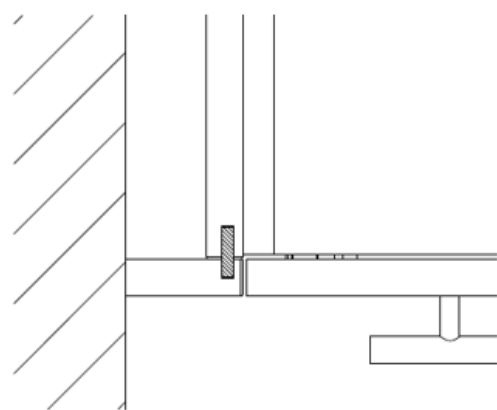
STEP DESIGN OR FLUSH DESIGN:

- Designers can choose between the old, step design or new, flush design

STEP DESIGN



FLUSH DESIGN



BENEFITS:

- Designers can choose between step or flush design
- The grain will match the door style with the flush design
- Parts shipped loose to provide ease of installing
 - Easier to scribe
 - Installer can create flush reveal or 1/8" reveal
- No mitre cuts
 - Avoids dangerously sharp edges that can be easily dented
 - Mitre cuts can also open up over time
- Banded on all edges
 - Protects the panel from dents