

Accuride

MODEL 123 with European Hinge

MODEL 1234 without Hinge

Clip-On Hinge
Flipper Door Slide®

Up to 30 lb. [13.6 kg.] Capacity

APPLICATIONS: Concealed doors on entertainment centers, wall units, and cabinets. Use for horizontal and vertical door applications up to 42" X 24" [1067 mm X 610 mm].

MODEL 123/1234

Door Sizes:

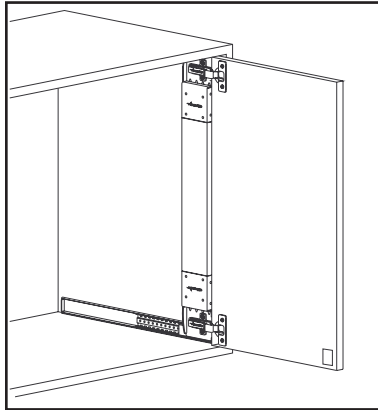
Thickness: 5/8" min. 1 1/4" max.

Vertical: 42"H X 24"W

Horizontal: 42"W X 24" tall

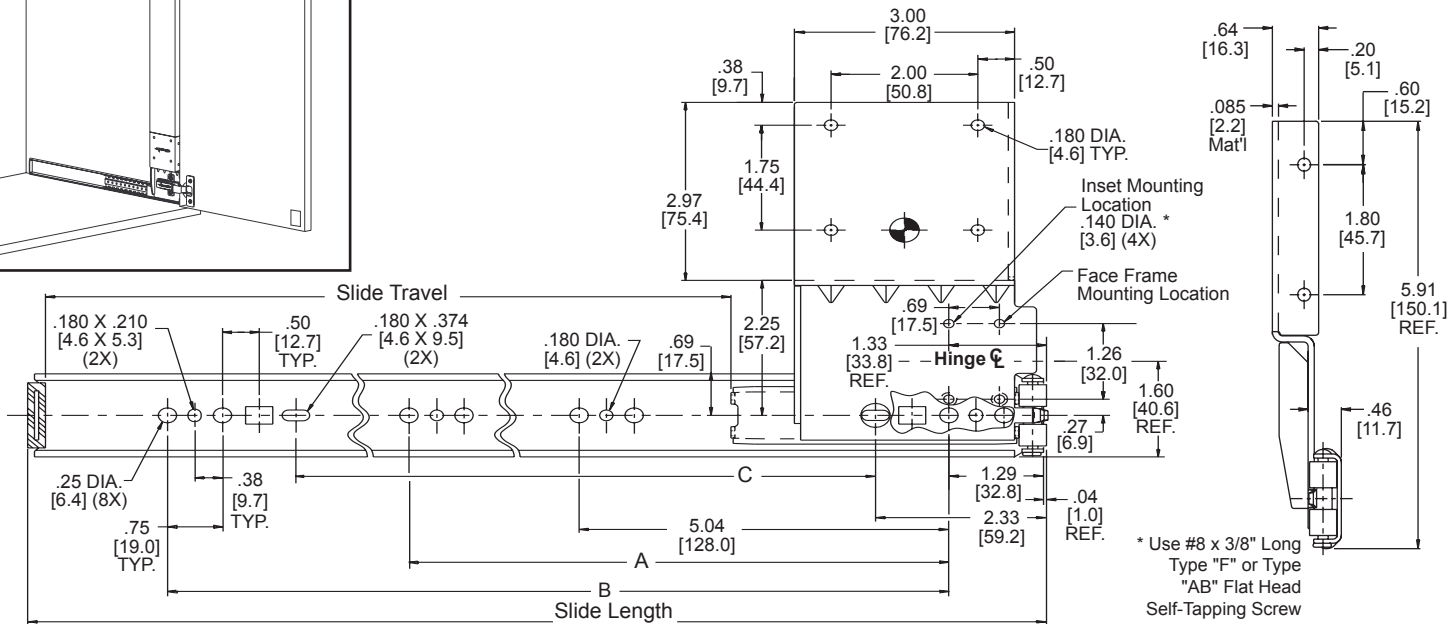
Load Rating: Up to 30 lbs.*

Use for horizontal and vertical applications.



Model 1234 shown.
Model 123 supplied with
factory-attached base plate.

Inches
mm



Finish Black electroplate (CB) finish only•

Door Sizes 5/8" [15.9 mm] minimum to 1-1/4" [31.8 mm] maximum thickness.

Vertical doors 42" [1067 mm] high by 24" [610 mm] wide.

Horizontal doors 42" [1067 mm] wide by 24" [610 mm] tall.

When door thickness exceeds 13/16" [20.6 mm], or for overlay style doors, a 40 mm hinge is required and can be purchased separately.

Lengths 12"–28" [305 mm–711 mm]

Travel See chart

Load Rating Up to 30 lbs. [13.6 kg.]

Also Detent out; door gap can be minimized to zero.

| Part Number | Slide Length | Slide Travel | A | B | C |
|-----------------------|----------------|----------------|------------------|------------------|------------------|
| CB123-12 CB1234-12 | 11.94 [303] | 7.40 [188] | | 8.82 [224.0] | 6.07 [154.2] |
| CB123-14 CB1234-14 | 13.94 [354] | 9.40 [239] | | 8.82 [224.0] | 6.07 [154.2] |
| CB123-16 CB1234-16 | 15.94 [405] | 11.40 [290] | | 12.60 [320.0] | 9.85 [250.2] |
| CB123-18 CB1234-18 | 17.94 [456] | 13.40 [340] | | 13.86 [352.0] | 11.11 [282.2] |
| CB123-20 CB1234-20 | 19.94 [506] | 15.40 [391] | | 16.38 [416.0] | 13.63 [346.2] |
| CB123-22 CB1234-22 | 21.94 [557] | 17.40 [442] | 13.86 [352.0] | 18.90 [480.0] | 16.15 [410.2] |
| CB123-24 CB1234-24 | 23.94 [608] | 19.40 [493] | 13.86 [352.0] | 18.90 [480.0] | 16.15 [410.2] |
| CB123-26 CB1234-26 | 25.94 [659] | 21.40 [543] | 13.86 [352.0] | 21.42 [544.0] | 18.67 [474.2] |
| CB123-28 CB1234-28 | 27.94 [710] | 23.40 [594] | 13.86 [352.0] | 23.94 [608.0] | 21.19 [538.2] |

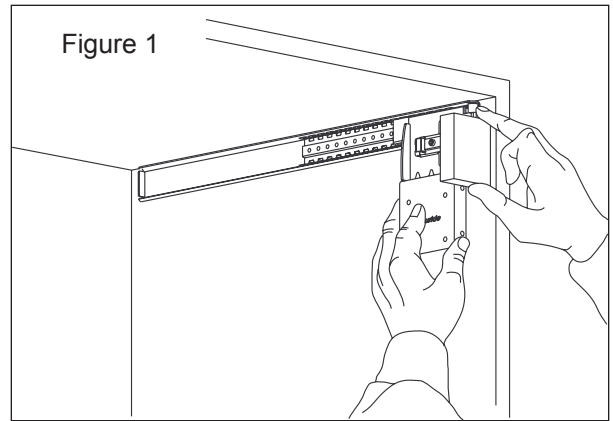
Step 1

Model 1234

Before installing slide, attach base plate to holes on inner member plate using #8 x 3/8" [#8 x 9.5] self-tapping flat head screws for standard hinge base plates. See front page for hinge location. Use of a spacer will require a 1/2" [12.7] long (maximum) screw.

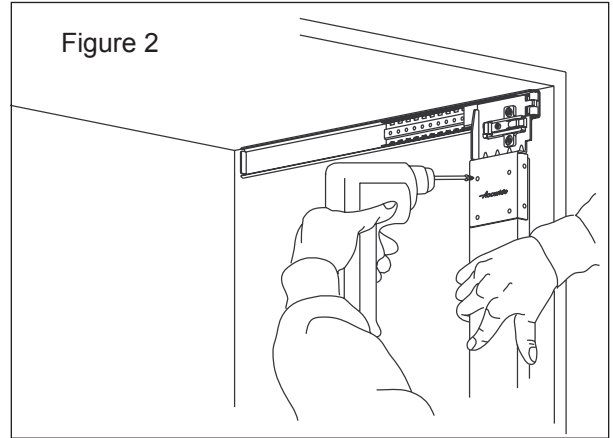
Model 123 & 1234

Position slides against the ceiling and floor of the cabinet and inset from the front 1/8" [3.2 mm] plus the door thickness. A shim block of this thickness can be used to locate the slide front exactly as shown in Figure 1. Install screws in front and rear slots.



Step 2

Cut the follower strip 6" [152.4 mm] shorter than door height. Maximum thickness for follower strip is 3/4" [19.0 mm]. Position follower strip under mounting plate against the front angle and pull slides forward as shown in Figure 2. This will align both slides parallel. Hold in place and install screws.



Step 3

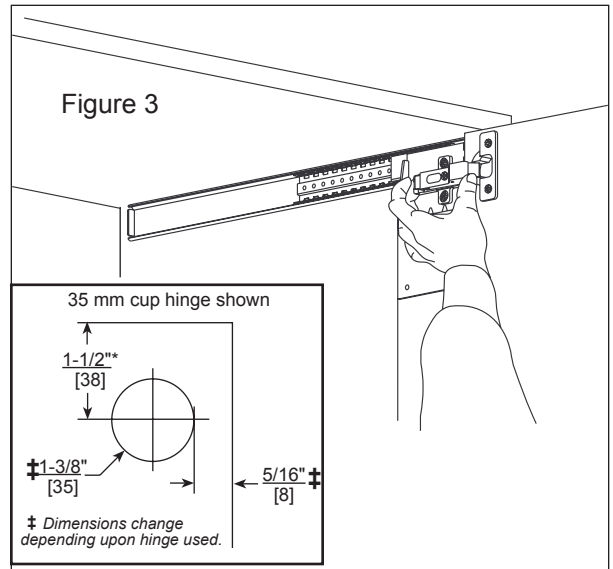
Model 1234

Use the table on the back page to determine tab and gap dimensions for hinge of choice. Bore cup holes 1-1/2" [38.0 mm]* from door top and bottom. Install door and adjust as required.

Model 123

Bore 35 mm clip-on hinge cup holes 1-1/2" [38.0 mm]* from the door top and bottom (5/16" [8.0 mm] tab) as shown in Figure 3. Install door and adjust as required.

‡NOTE: This presumes a top and bottom gap of 1/8" [3.2 mm] with the door 1/4" [6.4 mm] shorter than the cabinet opening.



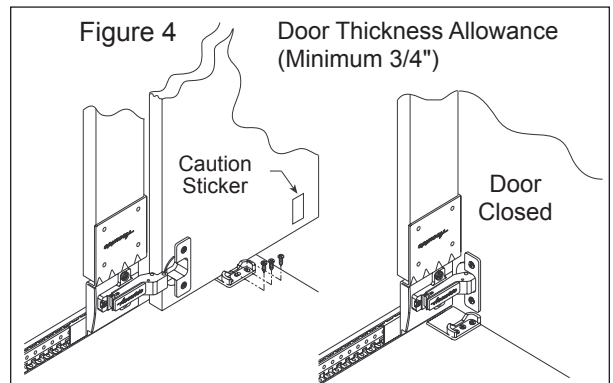
Placement of Pivot Block

Two pivot blocks are included in the supplied hardware kit. The purpose of the pivot blocks is to prevent premature rotation of the cabinet door, which can result in scarring of the front face of the door. Refer to Figure 4 for location of block at top and bottom of case. Use two blocks per door. The pivot block should just touch the back side of the door in both the open and closed positions. The deck of the pivot block is a built-in gauge for 3/4" [19.0 mm] thick doors. For partition placement, see dimension "A" on the next page for operating envelope information.

Placement of "Caution" Sticker

The "Caution" door sticker should be placed on the inside of the cabinet door, visible when the door is retracted. It is to remind end users to fully extend the door before closing. This will prevent damage to the cabinet. The sticker has a light adhesive that is easily removed and will not damage the finish of the cabinet. See Figure 4.

‡ Screw 2410-3229-BE provided in D-Pack



Refer to the illustrations below and the chart on page 4 to determine hinge placement for the various applications shown.

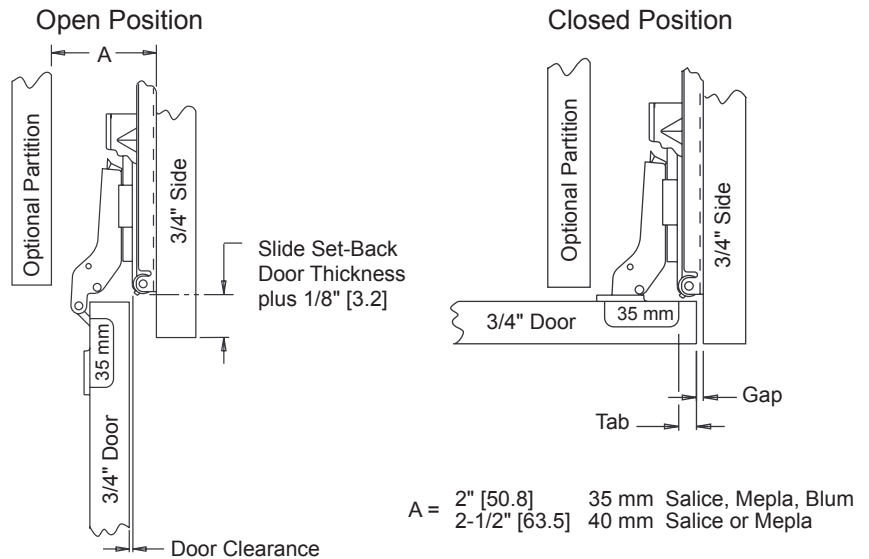
Inset Application

Inset application for doors 3/4"-1-1/4" [19.0 mm to 31.8 mm] thick. For doors up to 13/16" [20.6 mm] thick, a 35 mm hinge and base is supplied by Accuride with Model 123 only.

For doors exceeding 13/16" [20.6 mm], use the optional 40 mm hinge kit, with 0 mm base, specified below. Refer to the chart on the following page for tab and door thickness information.

The hinge base attached to the slide (on Model 123) can be used with any Salice hinge specified on the following page. For thick doors, using a Salice 40 mm hinge, use 0 mm base included in the kit.

Optional 40 mm Hinge Kit (thick doors)
Accuride P/N 4180-0313-XE



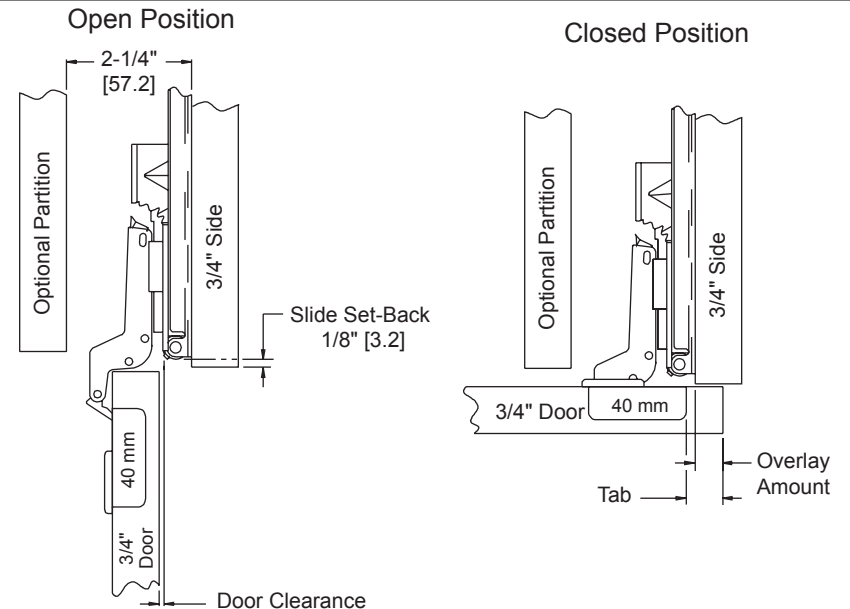
Overlay Application

Maximum door thickness up to 15/16" [23.8 mm] depending upon hinge used.

Requires a 40 mm cup hinge.

Refer to the chart on the following page for tab, door thickness, and overlay information. Specify the optional hinge kit listed below if an overlay installation is desired.

Optional 40 mm Hinge Kit (Overlay)
Accuride Part Number 4180-0314-XE

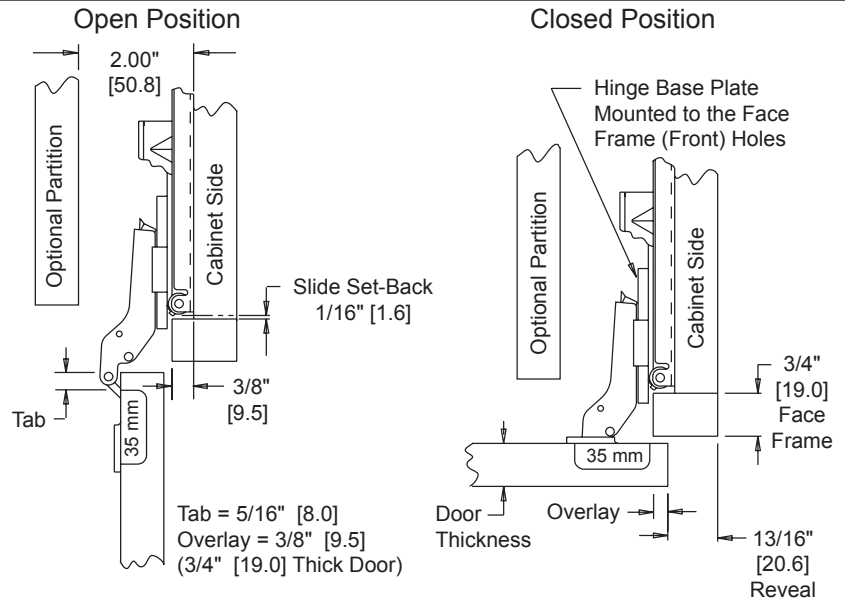


Face Frame Overlay Application

Maximum door thickness up to 13/16" [20.6 mm] depending upon hinge used. Doors over 3/4" [19.0 mm] will require hinge adjustment and overlay amount will decrease.

The hinge base plate must be moved forward to the two front face frame holes as indicated in the drawing at the right.

Use 35 mm hinge and base as supplied with Accuride Model 123 or equivalent.



| Application | Hinge Cup | Mfg. Part Number | Door Thickness | | Maximum Tab | | Minimum Gap | | Door Clearance | | | |
|-------------|---|--|-----------------------|--|-------------|--------|-------------|--------|----------------|--------|------|------|
| | | | mm | inches | mm | inches | mm | inches | mm | inches | | |
| Inset | 35 mm | (Supplied on Hinge Options 123) Salice C2P7G33 3 mm Base BAR3R39 Kit #4180-0391-XE | 19.0 | 3/4 | 8.0 | 5/16 | 0.7 | 1/32 | 1.0 | 1/32 | | |
| | | | 20.6 | 13/16 | 9.5** | 3/8** | | | 0.9 | | | |
| | | Blum 71T9650 0 mm Base 175H9100 | 19.0 | 3/4 | 8.0 | 5/16 | 2.2 | 3/32 | 5.5 | 7/32 | | |
| | | | 20.6 | 13/16 | | | | | 3.9 | 5/32 | | |
| | | | 22.2 | 7/8 | | | | | 2.3 | 3/32 | | |
| | | | 23.8 | 15/16 | | | | | 0.7 | 1/32 | | |
| | | Mepla 146-305-53-0815 | 19.0 | 3/4 | 6.0 | 1/4 | 0.7 | 1/32 | 2.0 | 5/64 | | |
| | | | 20.6 | 13/16 | | | | | 0.4 | 1/64 | | |
| | | Inset for Thick Doors | 40 mm | Salice CFA7P99 0 mm Base BAR3R09 Kit #4180-0313-XE | 19.0 | 3/4 | 14.0 | 9/16 | 0.7 | 1/32 | 13.0 | 1/2 |
| | | | | | 20.6 | 13/16 | | | | | 11.4 | 7/16 |
| 22.2 | 7/8 | | | | 9.8 | 3/8 | | | | | | |
| 23.8 | 15/16 | | | | 8.2 | 5/16 | | | | | | |
| 25.4 | 1.00 | | | | 6.6 | 1/4 | | | | | | |
| 27.0 | 1-1/16 | | | | 5.0 | 3/16 | | | | | | |
| 28.6 | 1-1/8 | | | | 3.4 | 1/8 | | | | | | |
| 30.2 | 1-3/16 | | | | 1.8 | 1/16 | | | | | | |
| 31.8 | 1-1/4 | | | | 0.2 | 0 | | | | | | |
| 40 mm | Mepla 146-425-53-0815 **Spacer required for doors 1.00" thick and over 314-393-81-0015 | | 19.0 | 3/4 | 6.0 | 1/4 | 0.7 | 1/32 | 5.5 | 7/32 | | |
| | | | 20.6 | 13/16 | | | | | 3.9 | 5/32 | | |
| | | | 22.2 | 7/8 | | | | | 2.3 | 3/32 | | |
| | | | 23.8 | 15/16 | 9.0 | 3/8 | 0.7 | 1/32 | | | | |
| | | | 25.4 | 1.00 * | | | 2.1 | 5/64 | | | | |
| | | | 27.0 | 1-1/16* | | | 0.5 | 1/64 | | | | |
| | | | 28.6 | 1-1/8* | 11.0 | 7/16 | 1.7 | 1/16 | 1.9 | 5/64 | | |
| | | | 30.2 | 1-3/16* | | | | | 0.3 | 1/64 | | |
| | | | Overlay Amount | | | | | | | | | |
| Overlay | 40 mm | Salice CFA7G99 0 mm Base BAR3R09 Kit #4180-0314-XE | 19.0 | 3/4 | 15.0 | 19/32 | 11.3 | 7/16 | 2.0 | 5/64 | | |
| | | | 20.6 | 13/16 | | | | | 0.4 | 1/64 | | |
| | | Mepla 146-425-53-0815 | 19.0 | 3/4 | 11.0 | 7/16 | 5.0 | 3/16 | 5.5 | 7/32 | | |
| | | | 20.6 | 13/16 | | | | | 3.9 | 5/32 | | |
| | | | 22.2 | 7/8 | | | | | 2.3 | 3/32 | | |
| | | | 23.8 | 15/16 | | | | | 0.7 | 1/32 | | |

** Requires hinge adjustment to achieve door gap. May require notching.

Slide Ordering Instructions

Complete your order for Accuride Model 123 or 1234 Flipper Door Slide by specifying the following:

Total Required Slides 100 Each CB 123 -12 D

Black Finish _____

Slide Model _____

Slide Length _____

Polybag Packaging - includes hardware kit _____

Packaging Information

123 Packaging

Distributor (D) Pack: All lengths are packaged 4 sets per box. Each set includes the following parts:

- 1 Pair Slides - With base plate attached
- 1 Each Hinge Kit P/N **4180-0390-XE**

Kit includes black 35 mm Clip-On Hinges, #6, #8, and M6 Euro screws, pivot blocks, and "Caution" sticker.

1234 Packaging

Distributor (D) Pack: All lengths are packaged 4 sets per box. Each set is polybagged and includes the following parts:

- 1 Pair Slides - No base plate attached
- 1 Each Pivot Block Kit P/N **4180-0315-XE**

Kit includes pivot blocks, mounting screws, and "Caution" sticker.

X-Pack (X): Slides, pivot blocks, and mounting hardware are packed in one box without polybags.

- Lengths 12"-22" are packaged 10 sets per box
- Lengths 24"-28" are packaged 5 sets per box

For the most current technical information please visit www.accuride.com.

Optional Hardware Kits—Ordered Separately

40 mm Salice Clip-On Hinge Kit For Overlay Application
Part Number 4180-0314-XE

Kit contains (2) zinc 40 mm "overlay" clip-on hinges, (2) base plates, (4) #6 screws, (4) #8 screws, and "Caution" sticker

40 mm Salice Clip-On Hinge Kit
Inset for Thick Doors Application
Part Number 4180-0313-XE

Kit contains (2) zinc 40 mm "inset" clip-on hinges, (2) base plates, (4) #6 screws, (4) #8 screws, and "Caution" sticker.

Specifications

Slide members and ball retainers: Cold rolled steel
Ball bearings: Carburized steel
Hinge: Nickel plated stamped steel

RoHS compliant.

Note: Specifications, materials, prices, terms, and delivery are subject to change without notice.



ACCURIDE INTERNATIONAL INC.

12311 Shoemaker Avenue
Santa Fe Springs, CA 90670

TEL (562) 903-0200
FAX (562) 903-0208
www.accuride.com

Manufacturing, Engineering, and Sales
United States • Germany • Japan • Mexico • United Kingdom • China

Copyright © 2002 Accuride International Inc. 3700-9386(9387)-MK006-R13-0509