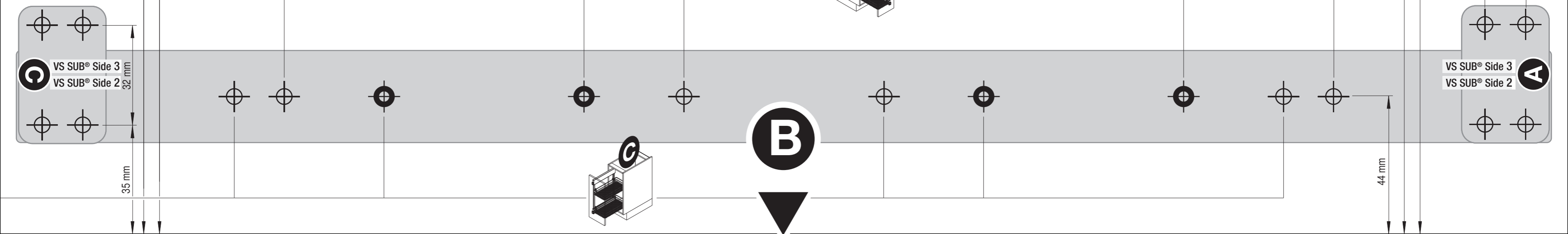
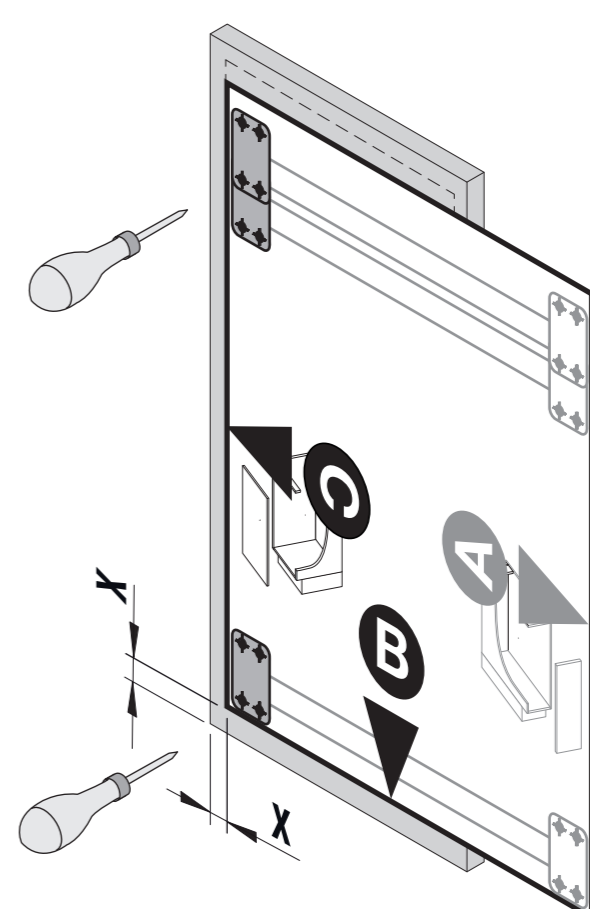
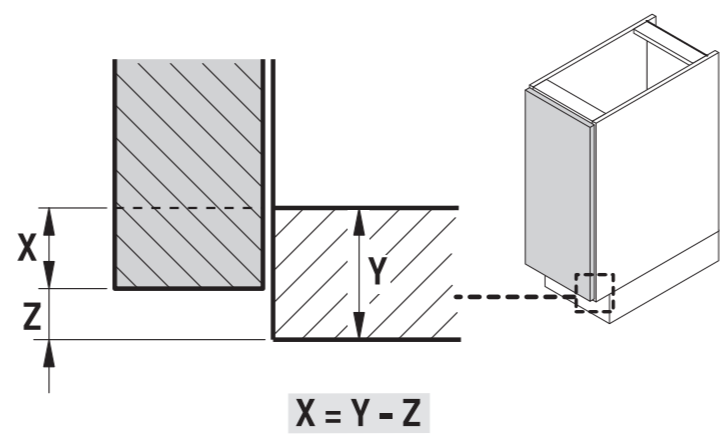
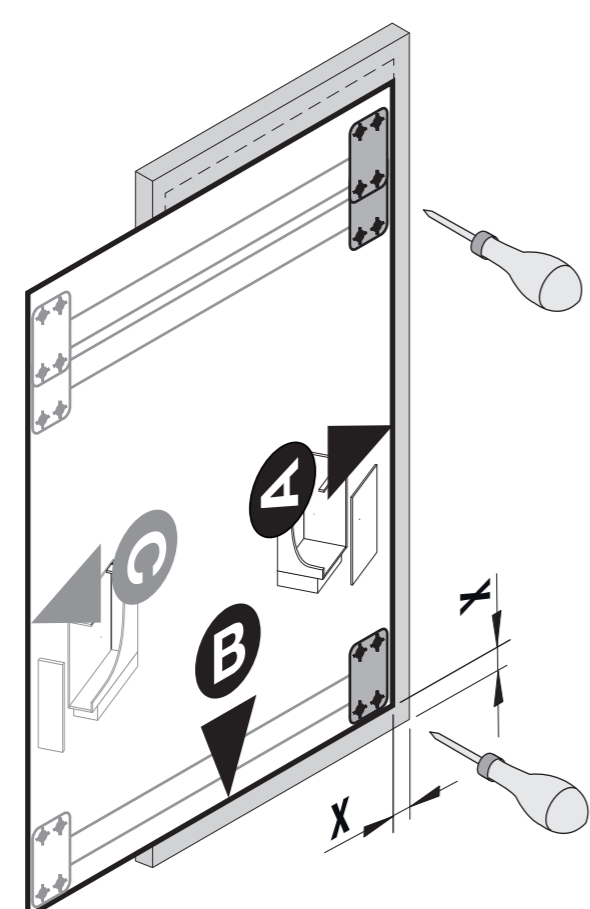
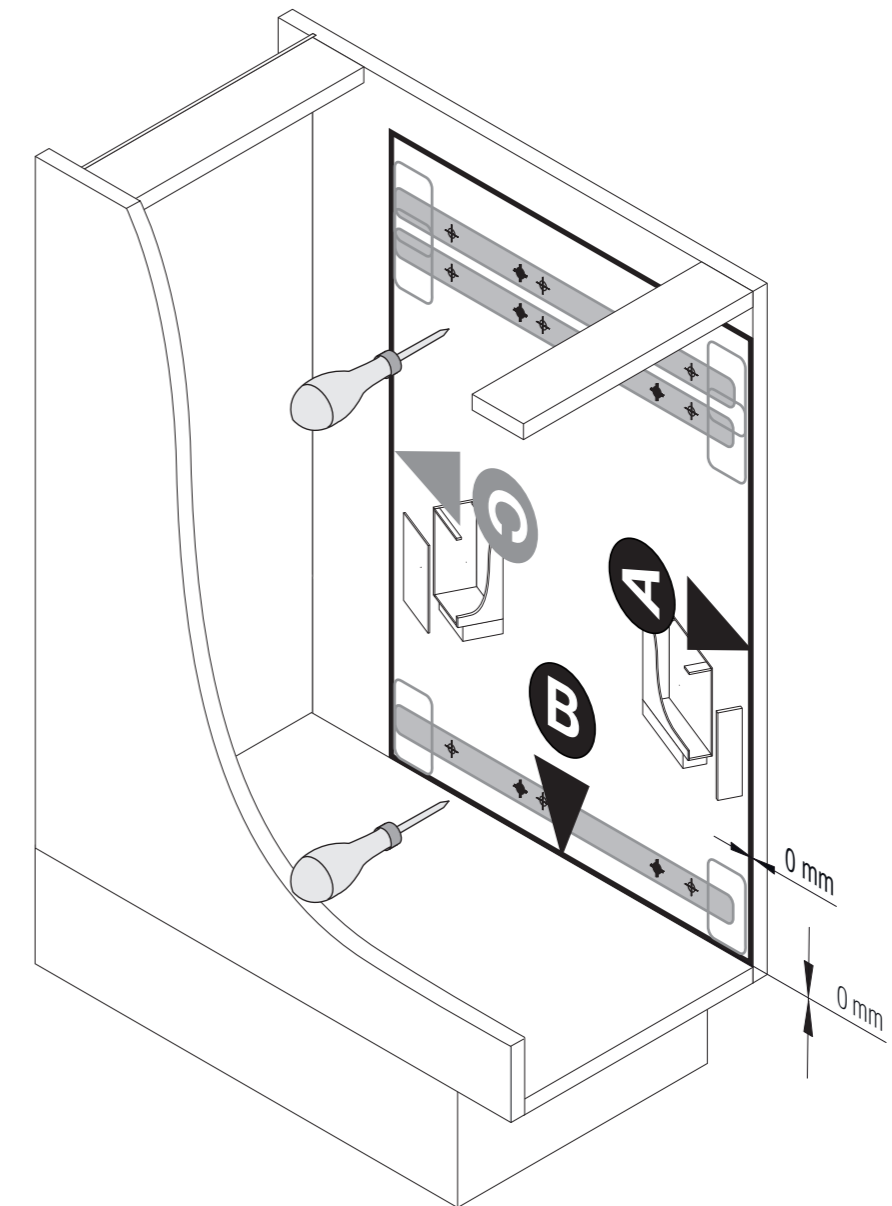
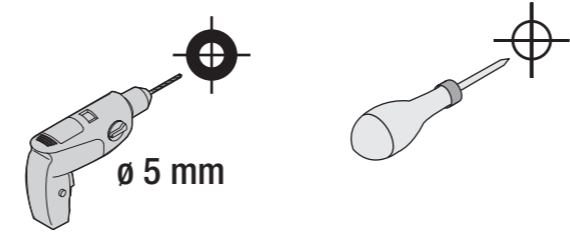
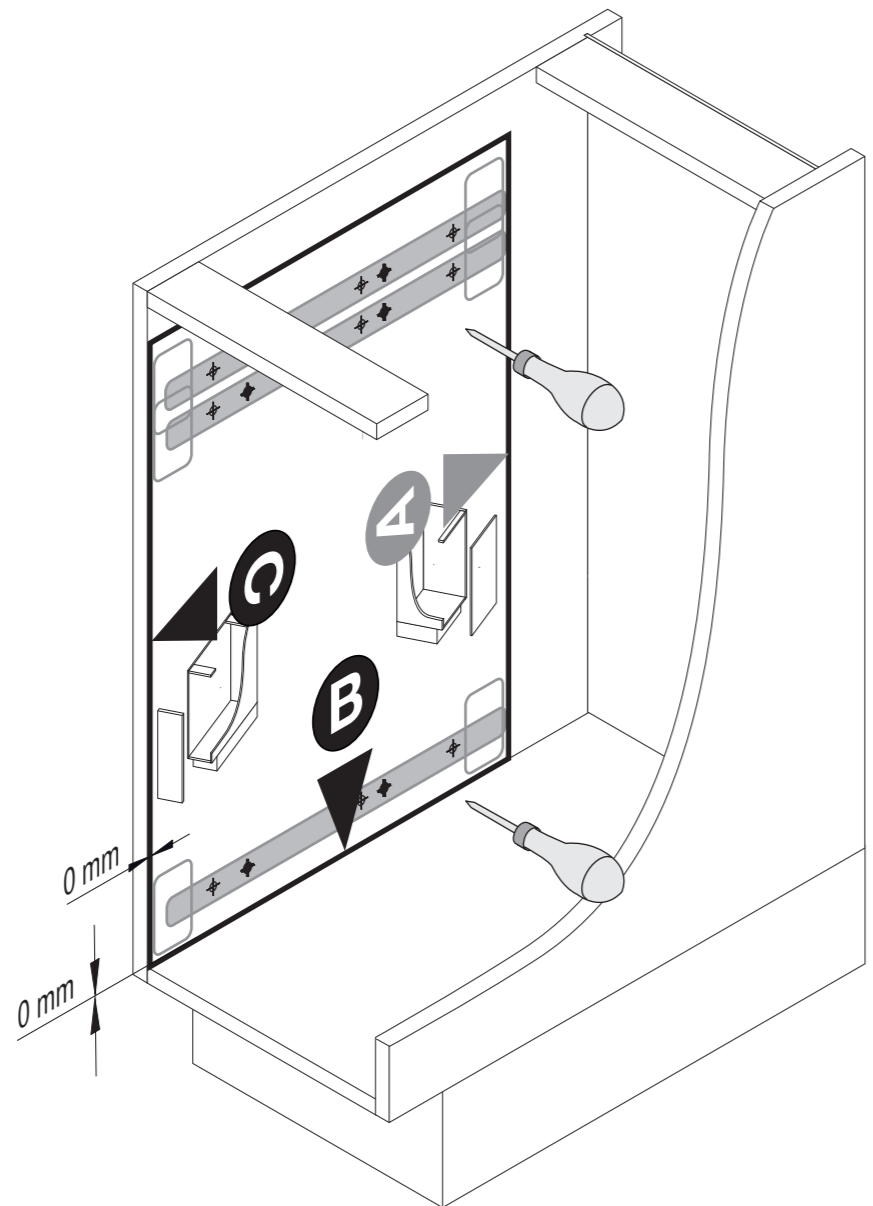
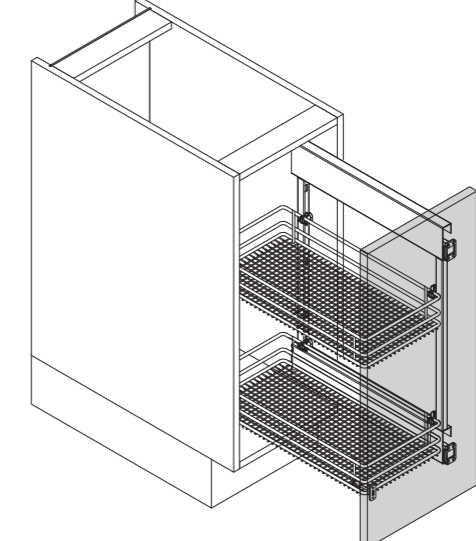


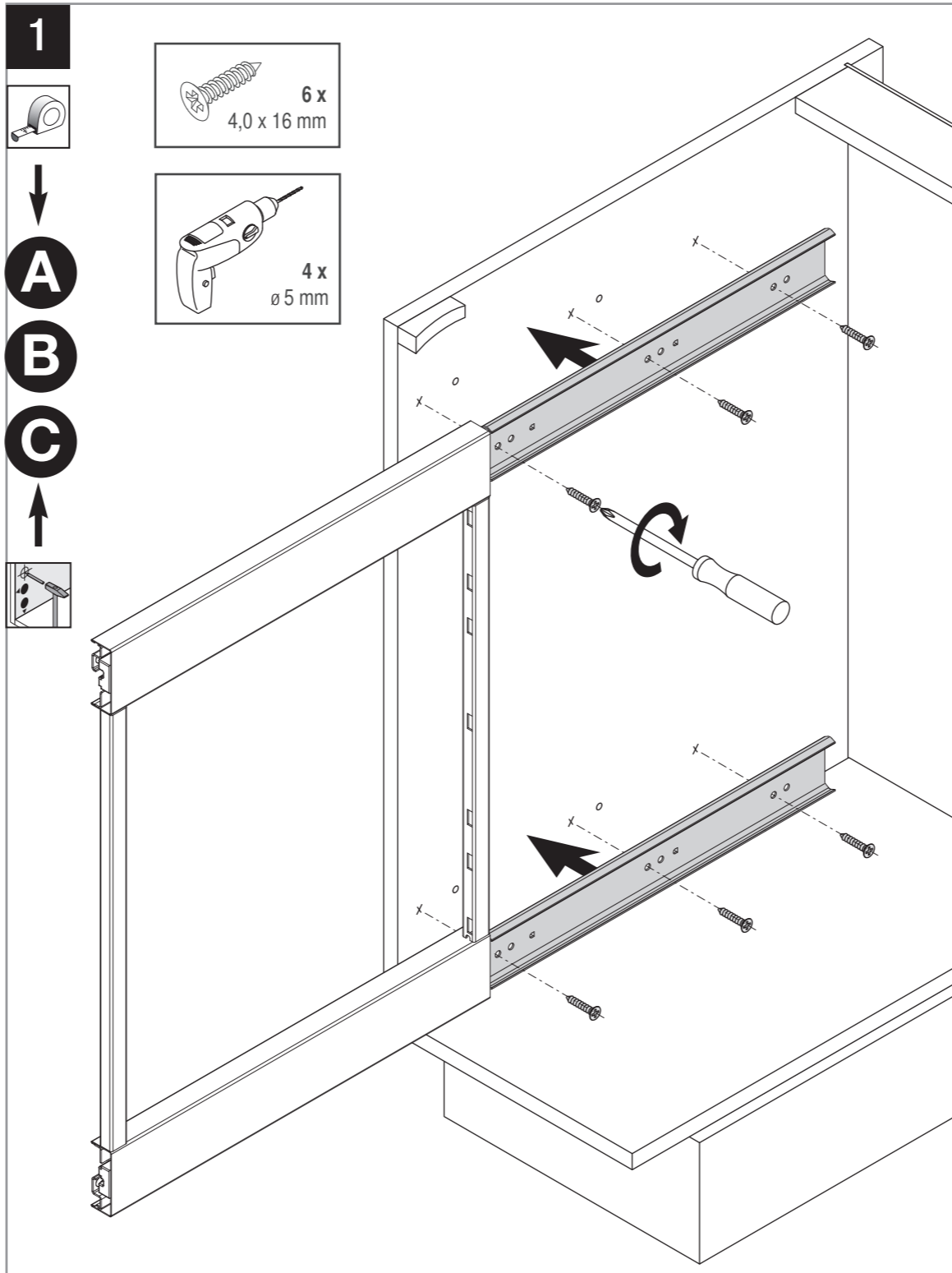
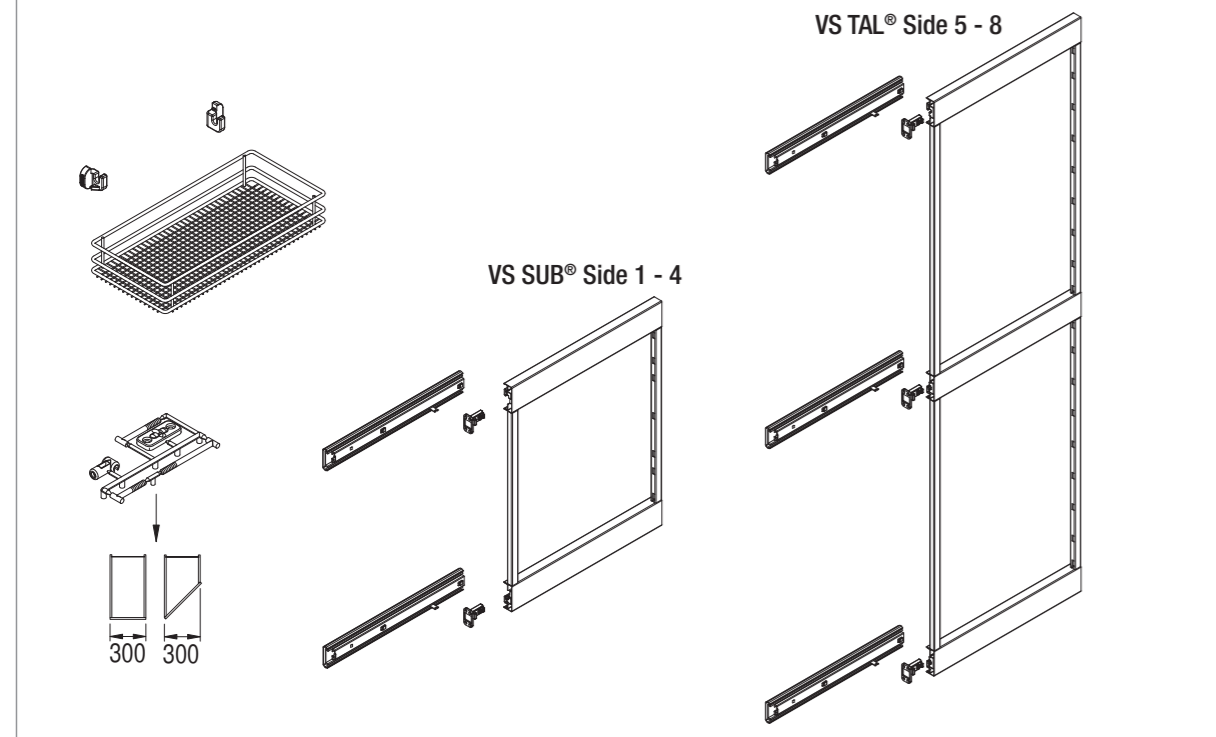
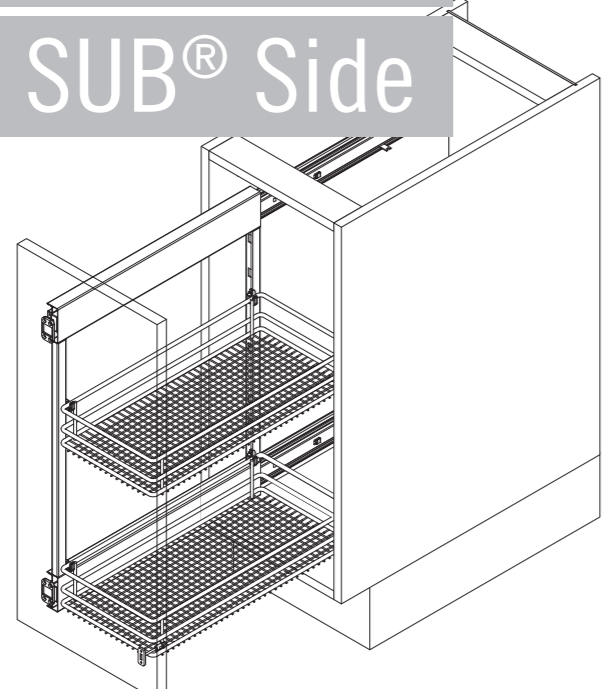
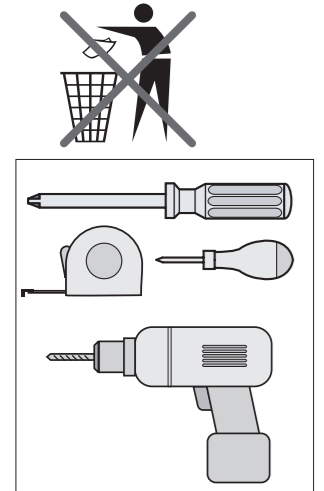
VS SUB® Side 07/2019



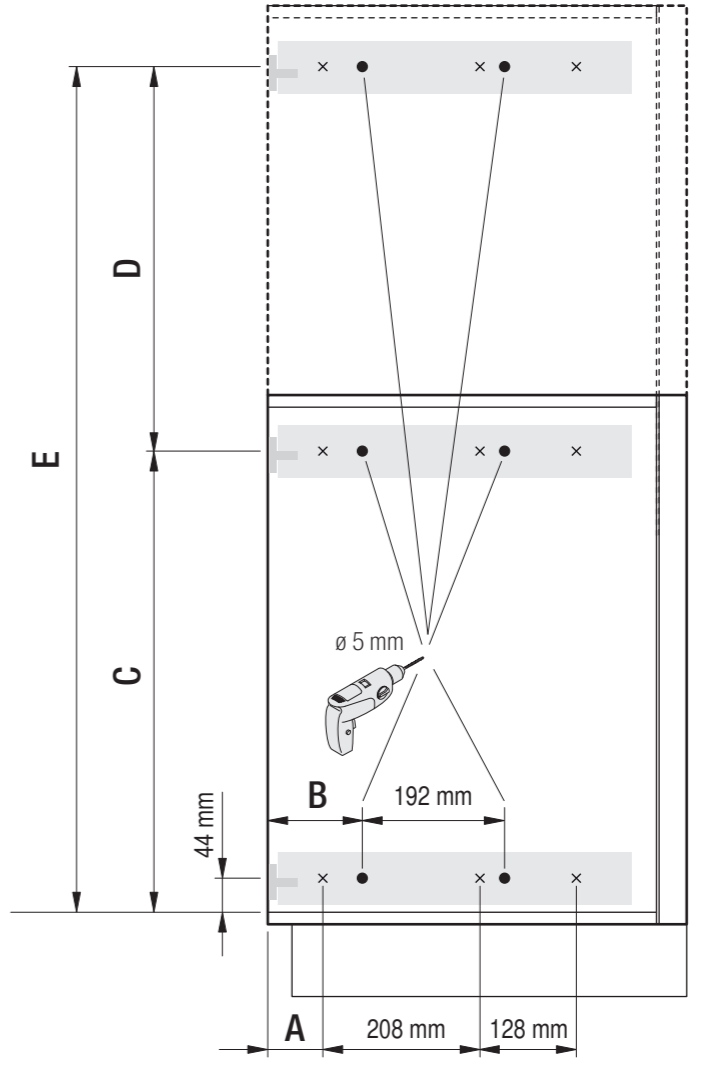
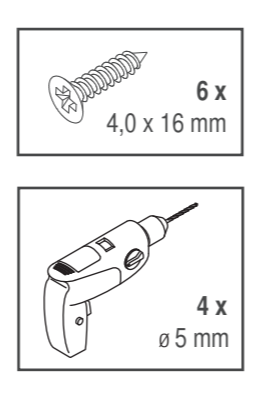


VS TAL® Side
VS SUB® Side

07/2019

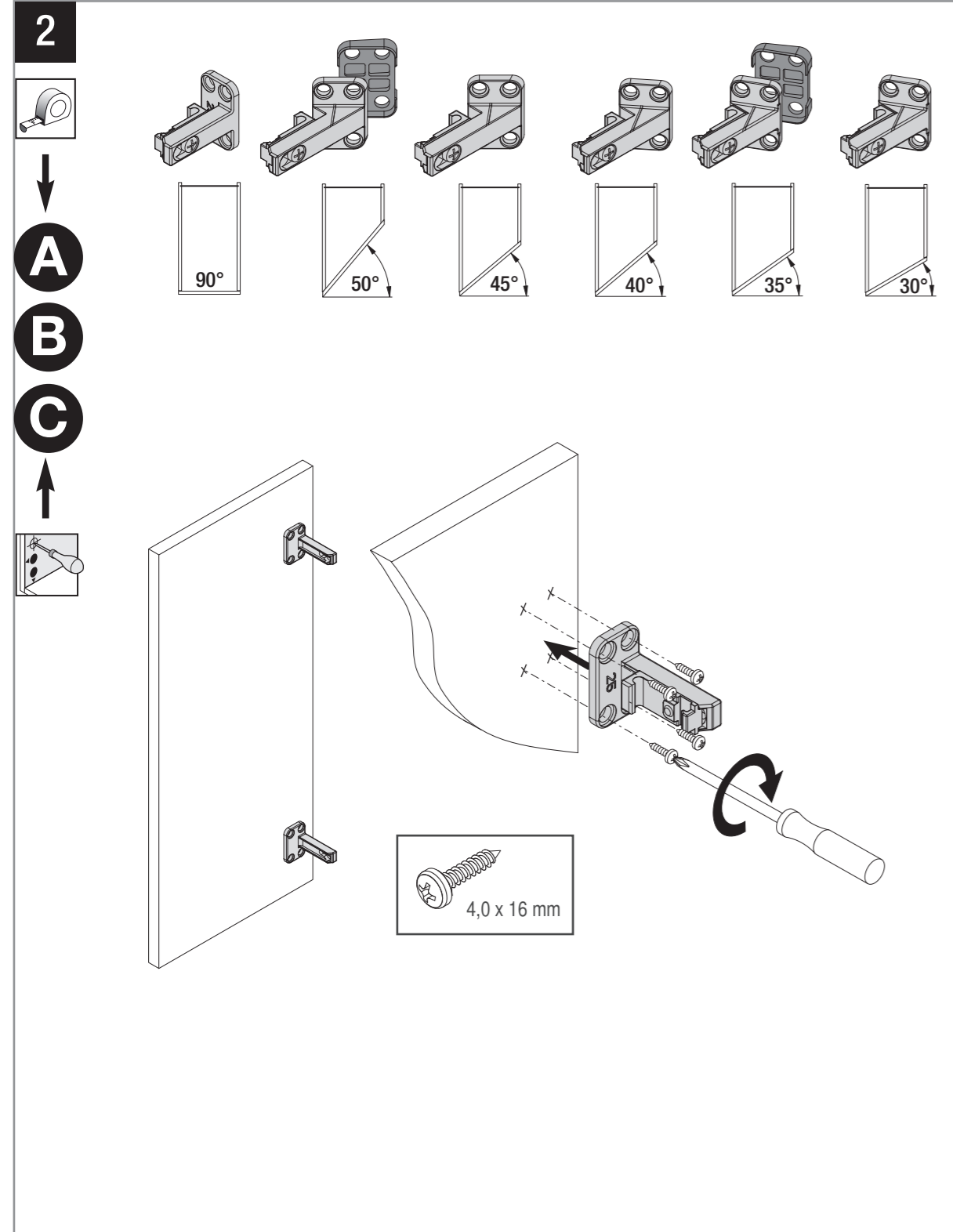


1
A
B
C

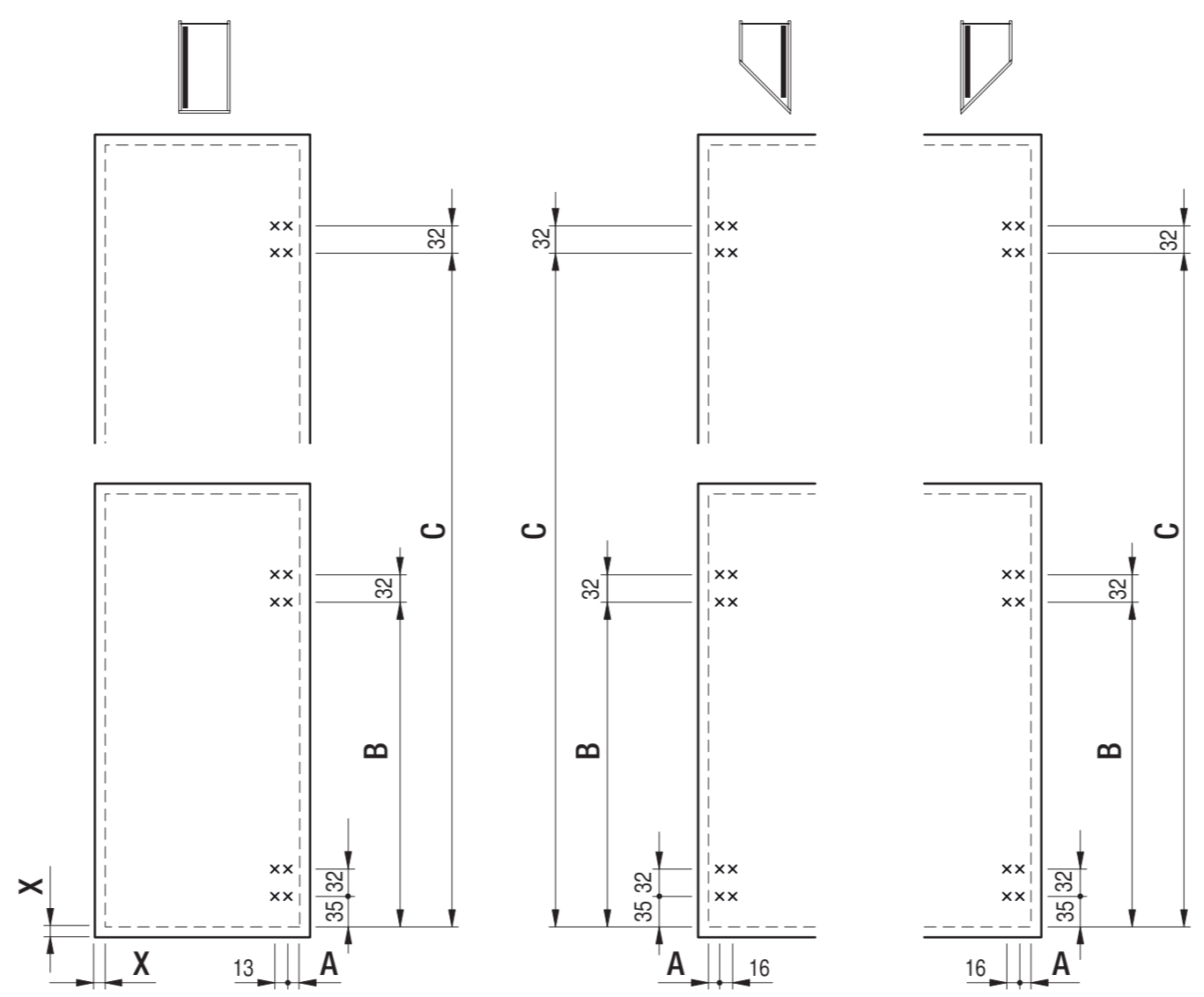
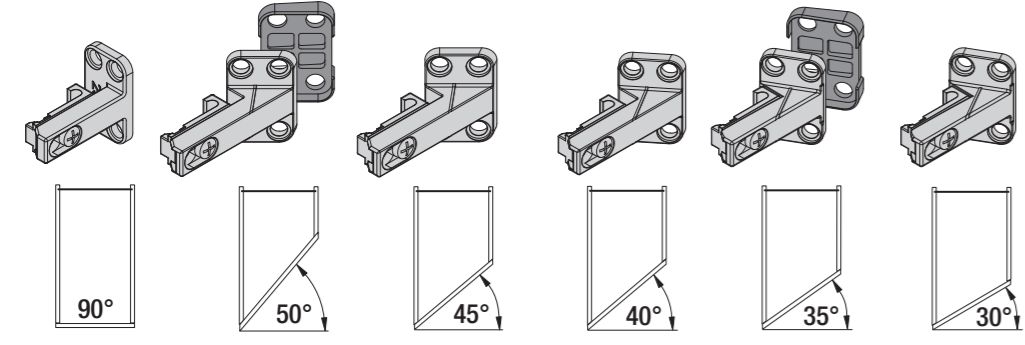


	A	B
90°	75	123
50°	111	159
45°	103	151
40°	98	146
35°	91	139
30°	85	133

	C	D	E
VS TAL® Side 8	916	872	1788
VS TAL® Side 7	805	761	1566
VS TAL® Side 5	615	571	1186
VS SUB® Side 4	705		
VS SUB® Side 3	583		
VS SUB® Side 2	541		
VS SUB® Side 1	449		



2
A
B
C



	A	B	B	C	
90°	14	VS TAL® Side 8	894	907	1766
50°	28	VS TAL® Side 7	783	796	1544
45°	22	VS TAL® Side 5	593	606	1164
40°	20	VS SUB® Side 4	683		
35°	20	VS SUB® Side 3	561		
30°	17	VS SUB® Side 2	519		
		VS SUB® Side 1	427		

