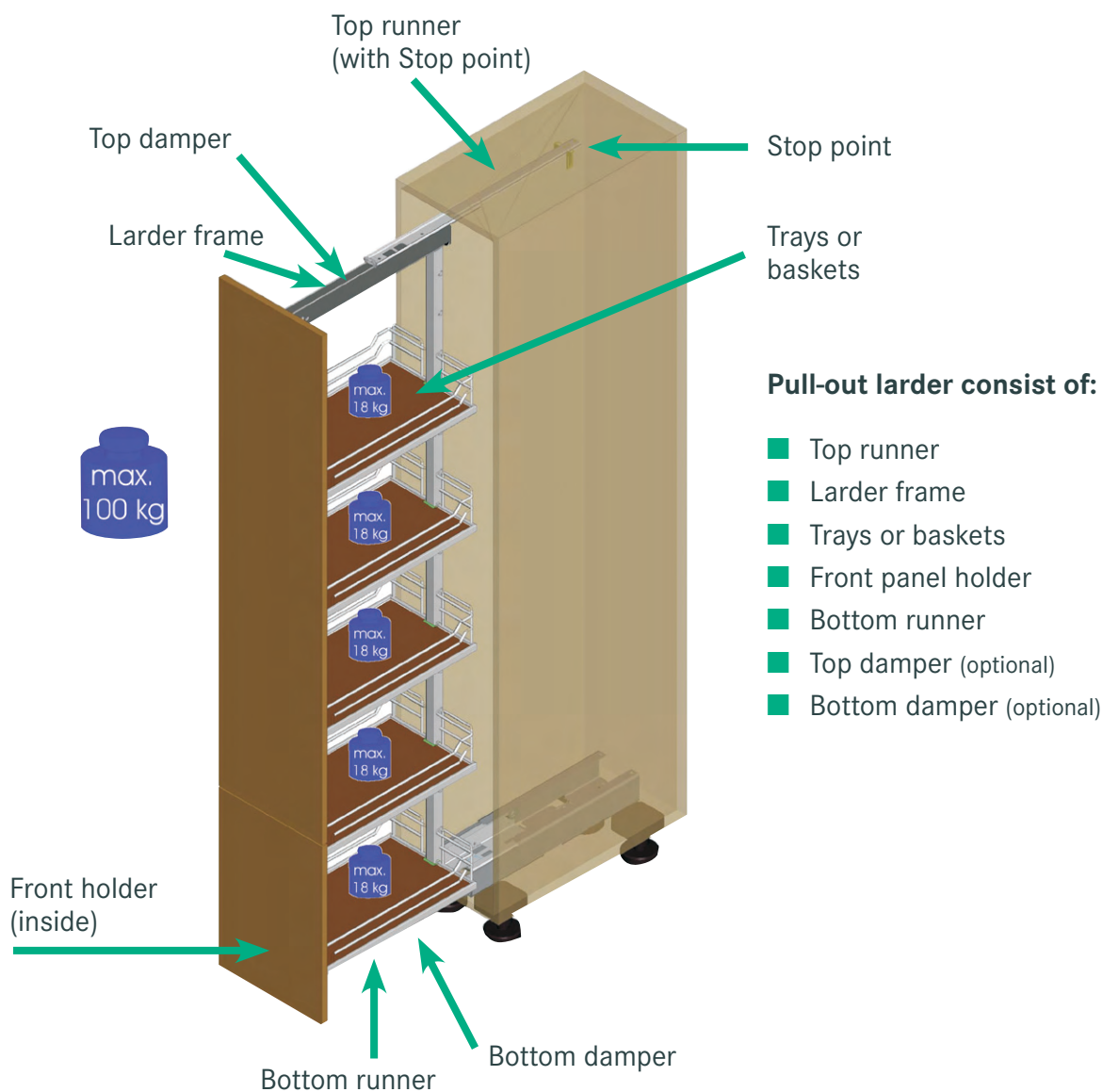


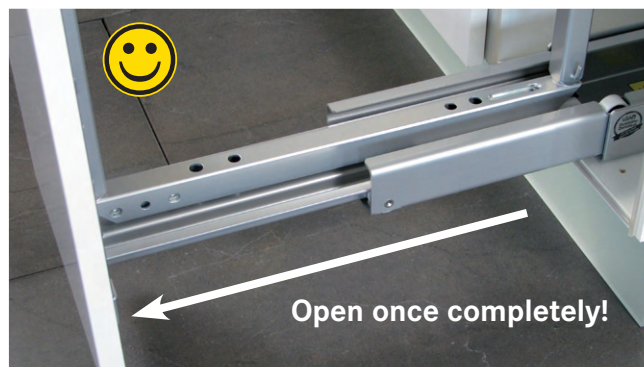
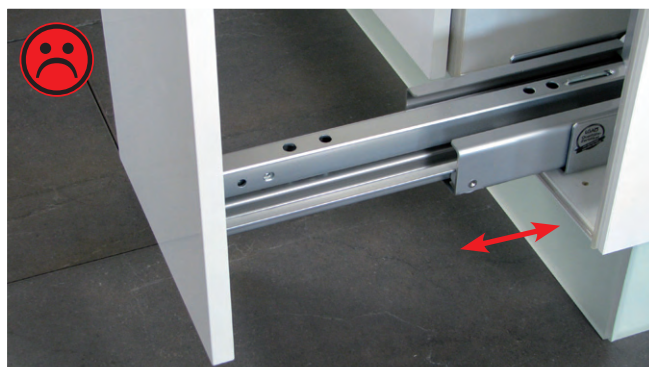
HANDLING INSTRUCTIONS for DISPENSA VVS



Problem	Possible failure	Possible solution (summary)	Detailed advice
1. Door will not close completely	1. Movement of segment	Completely open the cupboard once.	1.1
	2. Bottom guide dirty.	Clean the guide. (no oil)	1.2
	3. Connection between supporting frame and bottom guide is loose.	Check the connection between the supporting frame and bottom guide and tighten if necessary.	1.3
	4. Bottom damper is not securely in place.	Press the front panel against the body until you hear it engage.	1.4
	5. Are the screws tight? Correct type of screws?	1. Tighten screws. 2. Use the correct screws.	1.5
	6. Is the bottom/top guide in the correct position?	Correctly position the bottom/top guide	1.6
	7. Has the cupboard been assembled properly? (a) Is the cupboard plumb and level? (b) Fifth base foot in place for cupboard width of >40?	(a) Align the cupboard so it is plumb and level. (b) Place the fifth base foot in the correct position and tighten it until the base is horizontal.	1.7 1.7 (a) 1.7 (b)
2. Larder makes a noise during opening and closing	1. Bottom guide dirty.	Clean the guide.	2.1
	2. Fifth base foot in place for a cupboard width of 40 or more?	Assemble/tighten	2.2
3. No soft close damping	1. Is the top damper installed?	Install the damper.	3.1
	2. Is the top damper locked in place?	Push the damper forward until it locks in place.	3.2

1. Larder will not close completely

1.1 Movement of segment



If the DISPENSA larder pull-out is not opened completely, it may occur that it will not close properly due to technical given facts. **Open the larder once completely!** The larder will then adjust itself automatically and it will be possible to close it completely.

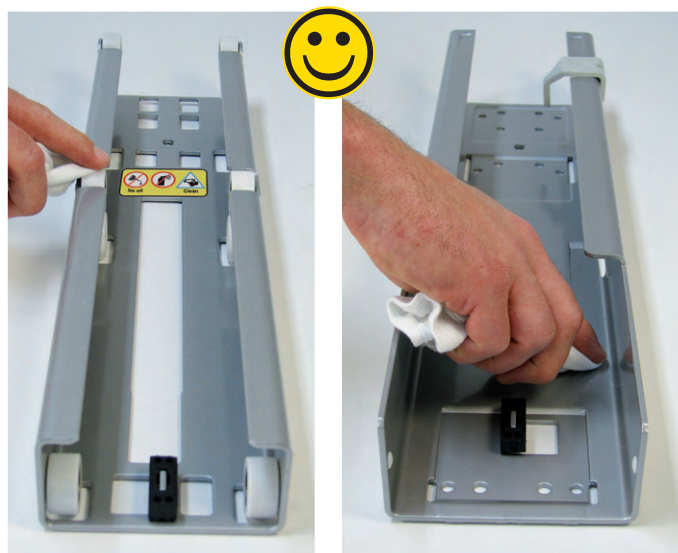
1.2 Bottom runner dirty (due to dirt, foreign objects, lubricant)?



Clean rollers and running surfaces!

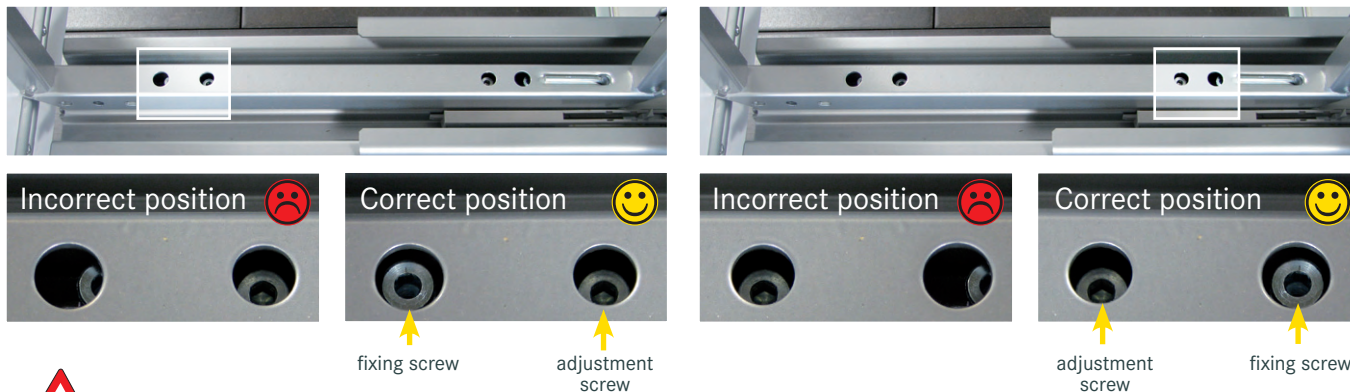
If the bottom runner, esp. the base element, is dirty, you should clean it: If the dirt is dry, simply wipe it off with a dry cloth. If the dirt takes the form of lubricant (oil or grease), you will need to clean the bottom runner in its entirety (running surfaces, roller surfaces and rollers), e.g. by using a glass cleaner; if necessary replace it completely.

The segments must not be oiled/lubricated!



1.3 Checking the connection between the larder frame and bottom runner

Check that the larder frame is correctly positioned on the bottom runner!

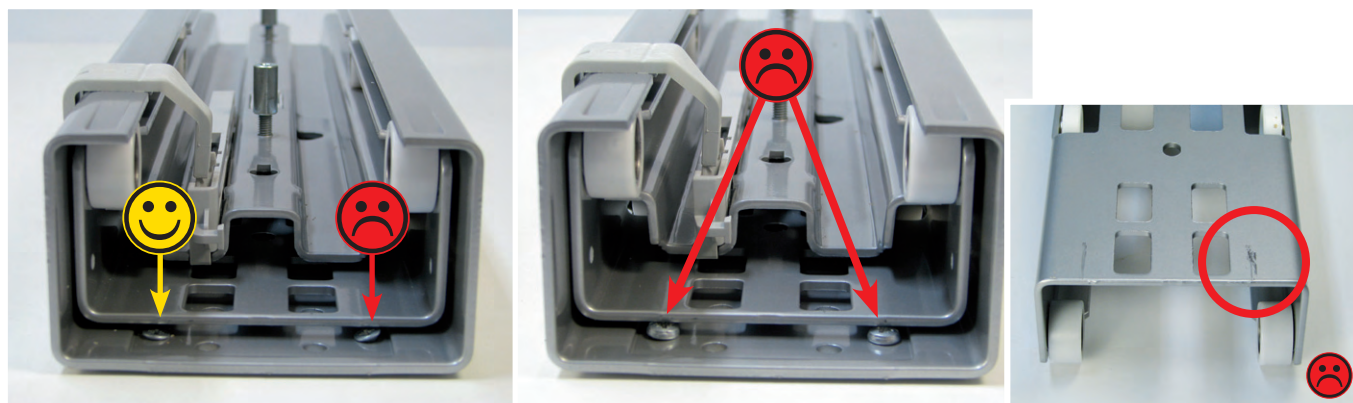


1. Do not use an electric drill!
2. All the adjusting screws (internal) and fastening screws (external) must be easy to access through the supporting frame.
3. Both fastening screws must be tight!

1.4 Releasing the self-closing mechanism on the bottom If the self-closing mechanism is in the wrong position, the front panel must be pushed against the cabinet until you hear it engage and the self-closing mechanism is reactivated. Alternatively, the self-closing mechanism can be pushed back into the correct position manually.

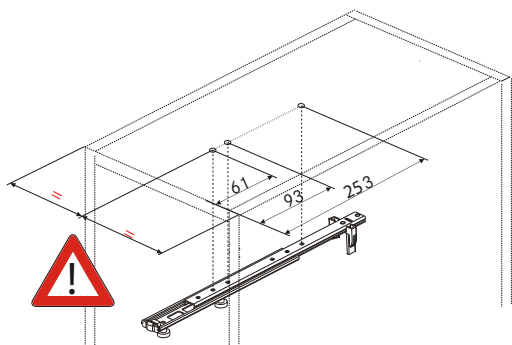


1.5 Are the screws tight? Is the type of screws correct?

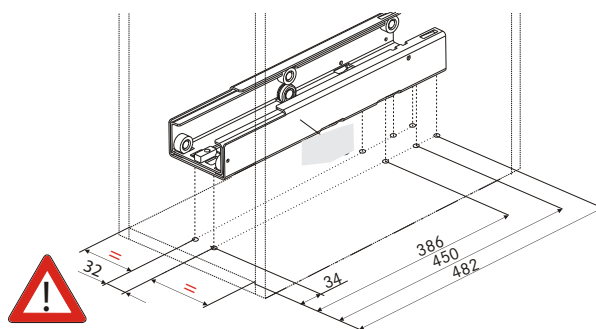


1. Do not overwind the screws!
2. The screws used must not come into contact with the middle slide!
3. The screws must be straight and securely tightened (check the middle slide for signs of wear!)

1.6 Are the runners mounted parallel (i.e. drilling positions correct)?

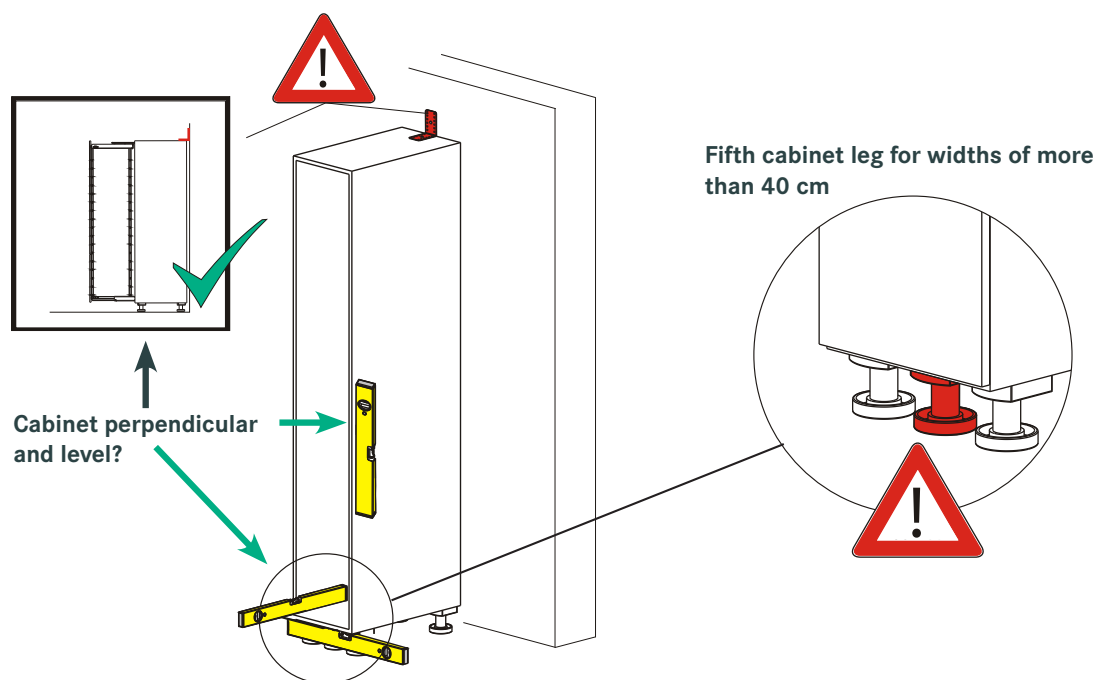


Runners parallel to side panel?



Guides parallel with side panel?

1.7 Has the cabinet been assembled properly?



a) Is the cabinet perpendicular and level?

Please ensure that ...



1. the side panels are straight and in right angle,

2. the bottom board is horizontal and
3. the cabinet is fixed to the wall.

b) Fifth cabinet leg in place for more than 40 cm wide cabinets?

Please check that the fifth cabinet leg is in place/correctly positioned (centre front) and has been adjusted/tightened. If this is not the case, the bottom board may bow, which could cause problems concerning the closing.

2. Larder pull-out makes a (creaking) noise during opening and closing

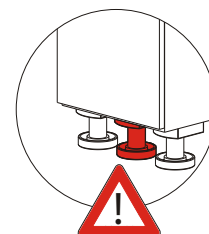
2.1 Bottom runner dirty (due to dirt, foreign objects, lubricant)?

If the bottom runner is dirty, clean it: If the dirt is dry, simply wipe it off with a dry cloth. If the dirt takes the form of lubricant (oil or grease) or foreign objects, you will need to clean the guide rail in its entirety (running surfaces, roller surfaces and rollers), e.g. by using a glass cleaner; if necessary replace it completely. **The segments must not be oiled/lubricated!**



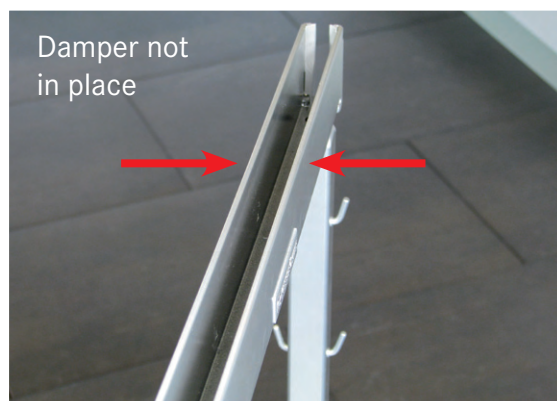
2.2 Fifth cabinet leg in place for more than 40 cm wide cabinets?

In case the cabinet is 40-60 cm wide, check whether the 5th base foot is in place, correctly positioned (centre front) and that it has been adjusted. If not, the base may “sag”. This may be the cause of the creaking noise.



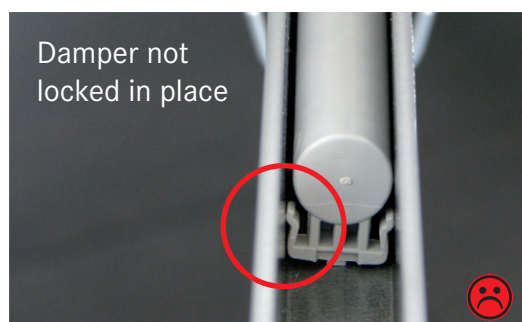
3. Cupboard dampering function not working (damped version)

3.1 Is the top damper in place?



If the damper is not there, you can order it from the furniture manufacturer. Once obtained, the damper locks into place in the U-profile of the larder frame.

3.2 Is the top damper locked in place?



Move damper until it locks into place!

