

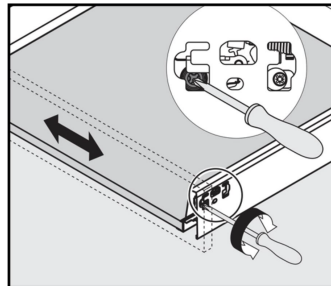
DRAWER FRONT ADJUSTMENT (TANDEMBOX ANTARO)



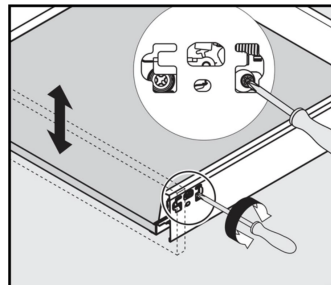
ADJUSTMENTS

1. Open drawer
2. Remove cover plate
3. Use a Phillips screwdriver (PZ2) to make left/right and up/down adjustments (ill. 1 - ill. 2)
4. Tilt drawer front by turning the gallery rails (ill. 3 - ill. 4)
5. Refit cover plate

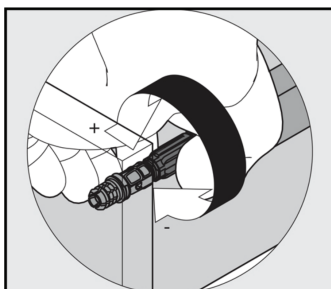
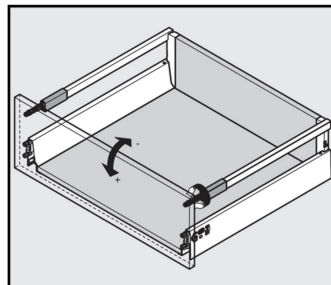
SIDE



HEIGHT



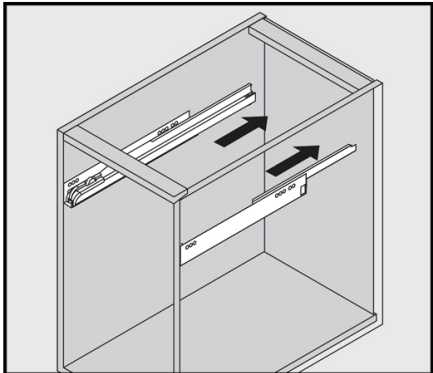
TILT



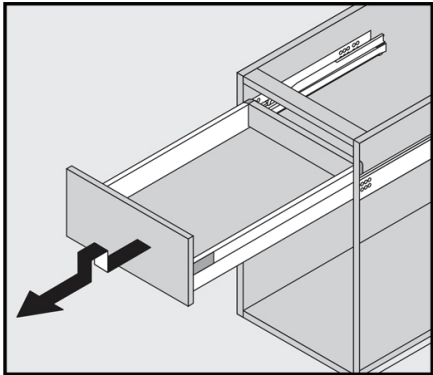
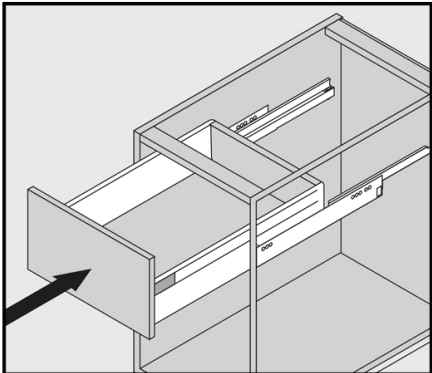
DRAWER FRONT ADJUSTMENT (TANDEMBOX ANTARO)



TANDEMBOX INSERTION AND REMOVAL



INSERTION

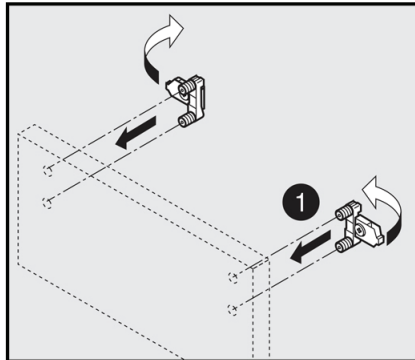


REMOVAL

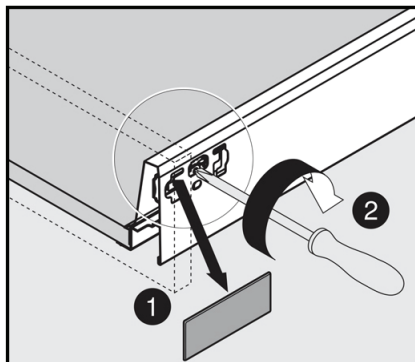
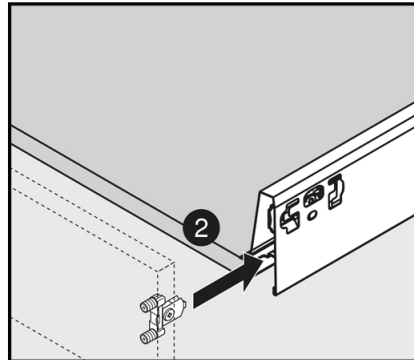
DRAWER FRONT ADJUSTMENT (TADEMBOX ANTARO)



DRAWER FRONT ASSEMBLY AND REMOVAL



ASSEMBLY



REMOVAL

