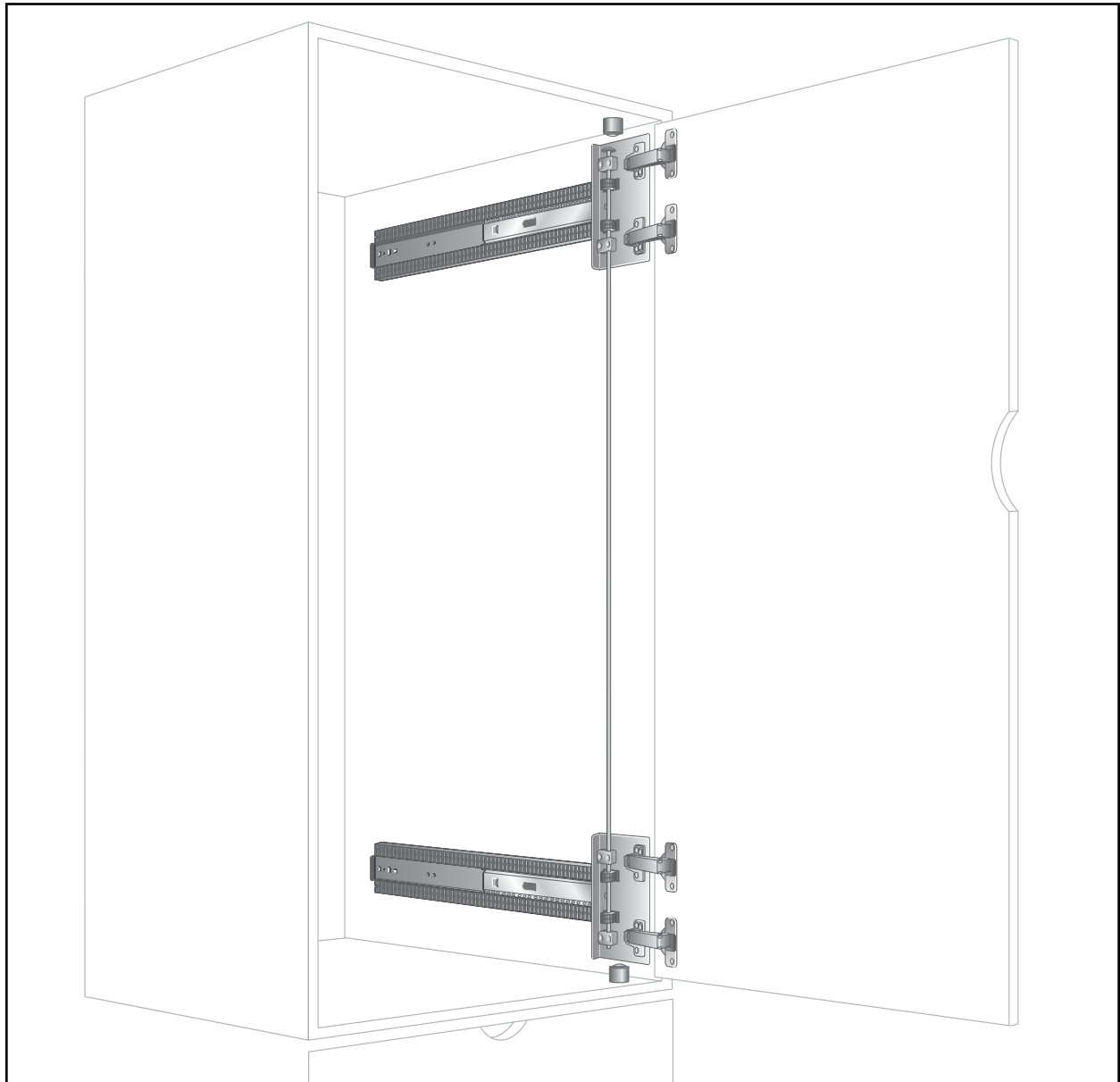


KV 8090 Series

4x4 Pocket Door Slide™



SPECIFICATIONS:

- 75-pound maximum per door.
- Designed to mount to side of case for vertical pocket doors.
- Maximum door dimension of 26" x 72".
- Not recommended for square doors or where door width is greater than door height.
- Self-closing three-way adjustable geometric door hinge with single lever disconnect feature.
- Precision steel ball bearings.
- Ebony Black electro zinc-plated lacquer finish.

Installation Instructions for KV 8090 Series Pivot Door Slides

READ INSTRUCTIONS FIRST!

These instructions show how to install the KV 8090 Series Pivot Door Slide. Please note that improper installation may void the Knappe & Vogt Limited Lifetime Warranty. To install the slides correctly, follow the enclosed instructions, use only KV hardware and make no modifications. If you have questions or need additional information, please contact Knappe & Vogt customer service.

Typical Application

- Obtain appropriate hinge based on door thickness and operational requirements.
- Recommended maximum door dimension: 26" wide x 72" high. For some types of door construction where door center bow may be an issue, a third slide may be used (see fig. 11).
- Use recommended KV#8090P CR roller for panel door construction.
- Recommended maximum door weight: 75 lbs.
- Designed to be used on vertical doors only.

Step 1. Size the cabinet door

For typical inset door applications, the cabinet door should be sized to allow for 1/8" top and bottom vertical gap.

Step 2. Install hinge cups in cabinet door

Determine location of hinge hole centers. Layout the door cup holes from the top and bottom edges of the door, 2-3/4" from door edge to first hinge cup centerline and 3-3/4" from the centerline of the first hole to the centerline of the second inboard hole. Bore four holes at back inside edge of door following chart recommendations (chart 2) for bore diameter and edgebore distance based on hinge being used. **Always bore on a test block first to verify hinge cup locations.** Install hinges in door.

Step 3. Position slide channels inside case

- Locate the centerlines of the top and bottom slides 4-3/4" from the inside top and bottom surfaces of the case. Set back the slides from the front edge of the case the door thickness plus 1/4" (for inset door applications).
- Position the slide channels into the molded rack using the indexing pin on the back of the molded rack through the 1/4" dia. hole on the rear of the slide channel (fig. 3). Confirm that the slide assemblies are parallel to case edge and then mount the assemblies to the case side by driving screws through the slide assembly.
- A mounting screw must always be used in the front most slide hole (fig. 4)
- For face frame applications, the slide must be blocked out so that it is flush with the edge of the frame (fig. 10). The blocking should be cut to a width of 2-3/4", and a length that matches the length of the slide for proper slide support.

Step 4 Prepare pinion shaft and gear assembly

Cut the pinion shaft to 4" less than the overall cabinet opening height. **The shaft end must be clean and deburred to allow the hardware to slide on.** Pre-assemble a pair of pinion gears, pillow blocks and bushings to the top and bottom of the shaft making certain that the gears are assembled with the marking labeled "This side up" facing upward. Insert the pillow block attachment screws into the pillow block to hold the pillow block and bushing assemblies together and then attach the locking cap to the top of the pinion shaft. (fig. 5)

Step 5 Install pinion gear assembly to slides

Pull the slide hinge brackets to the front of the cabinet so that they are in the locked or detent-out position. Attach the pinion shaft assembly to the slides making sure that the teeth in the gear assemblies line up properly with the teeth in the rack assembly. Tighten the pillow block attachment screws but do not overtighten. (fig. 6)

Step 6 Hang door and adjust hinges as required

Install hinged cabinet door to slide assembly in case. For installation ease, each hinge pair must be aligned together to the mating hinge bases and locked down simultaneously. Slowly open and close the door checking for proper operation and door alignment.

- Hinge screws will allow for adjustment of the door in all three directions. (fig 7)
- **Horizontal** adjustment screw—adjusts door side gap clearance. **Do not over adjust—this screw MUST NOT be tight.**
- **Depth** adjustment screw—adjusts door face in and out (flush with case edge). **Screw must be tight.**
- **Vertical** adjustment screw—adjusts door up and down (top and bottom gap clearance). **Screw must be tight.**

Step 7 Install guide rollers

Proper operation requires precise roller location – drill pilot hole for screw located from case edges as shown (fig. 8).

- Secure top and bottom guide rollers using flat-head wood screws supplied. Tighten screws firmly.

IMPORTANT:

Roller assembly should not bind on door. Always install the 8090 Pivot Door slide using top and bottom guide rollers provided with slide. If roller is missing or lost, contact KV customer service for replacement – DO NOT substitute other rollers. When improperly installed, the slides could be damaged. Locate the rollers as shown.

figure 1

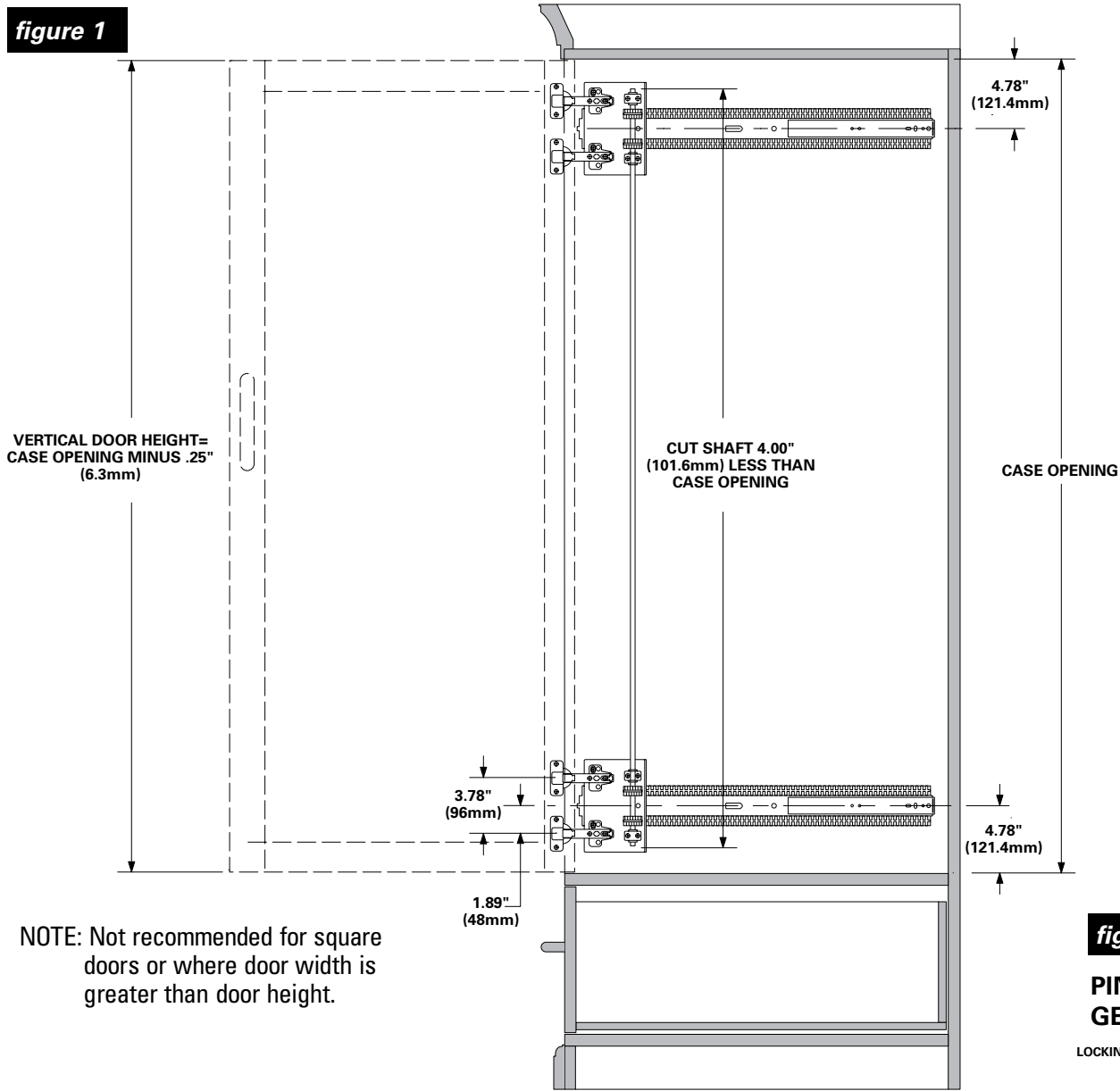


figure 2

DOOR PREPARATION

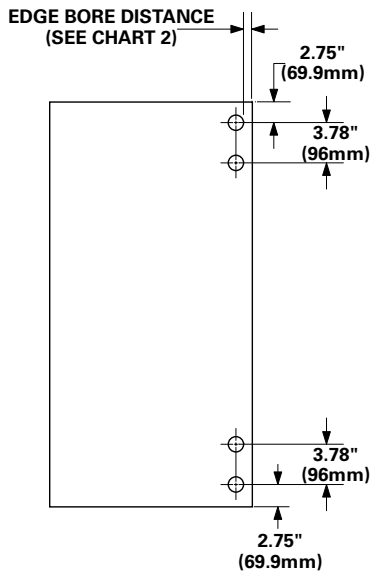


figure 3

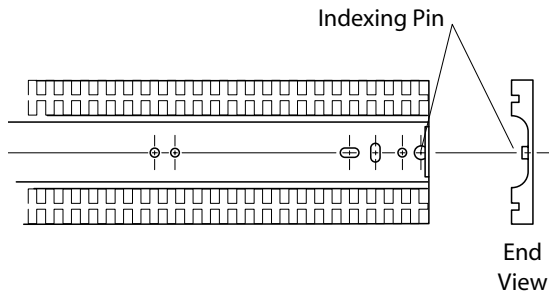


figure 4

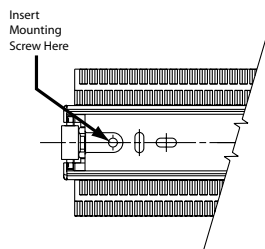


figure 5

PINION SHAFT GEAR ASSEMBLY

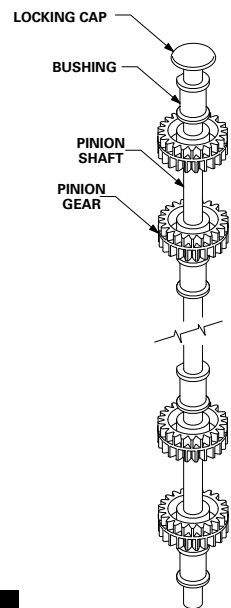


figure 6

PINION GEAR ASSEMBLY

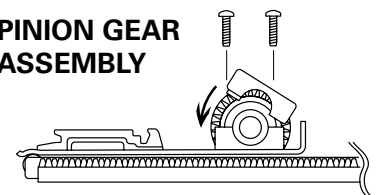


figure 7 HINGE ADJUSTMENT

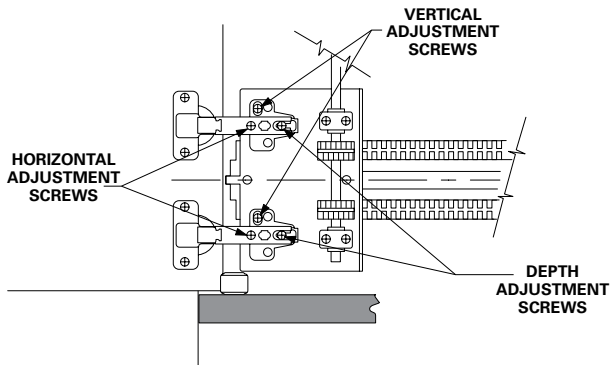


figure 10 TYPICAL FACE FRAME W/ 3/4" THICK INSET DOOR

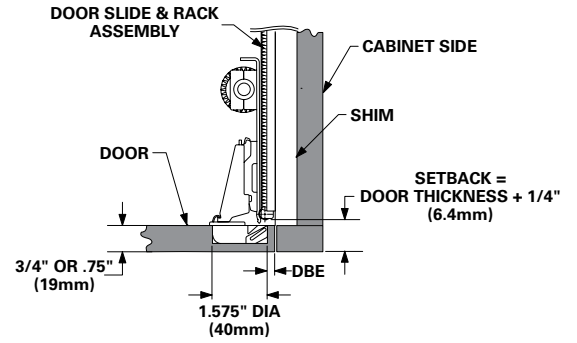


figure 8 DOOR GUIDE ROLLER INSTALLATION

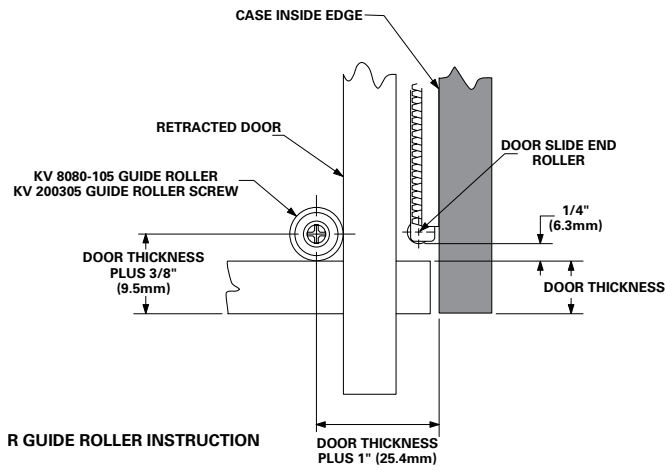


figure 11

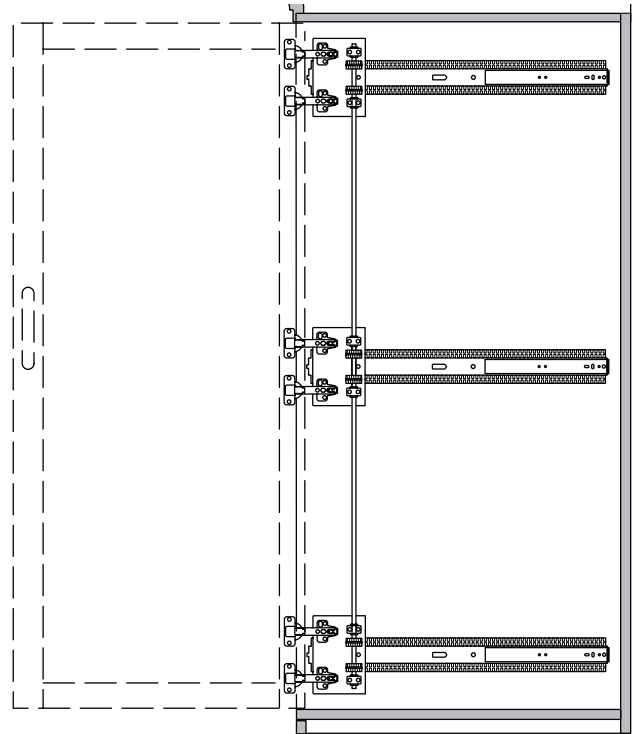
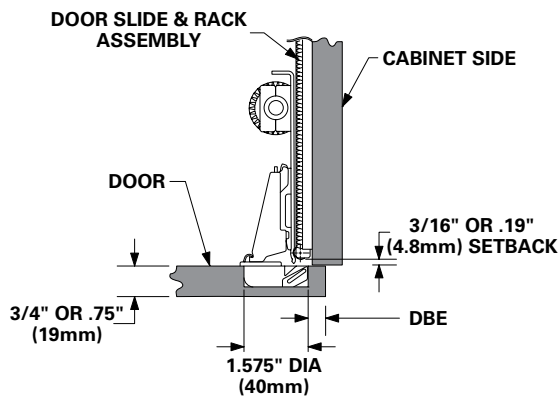


figure 9



Overlay Door Installation with 8080L Hinge
(3/4" Thick Doors Only)

Same as standard installation except for slide placement (set back) from front edge of case.

figure 12

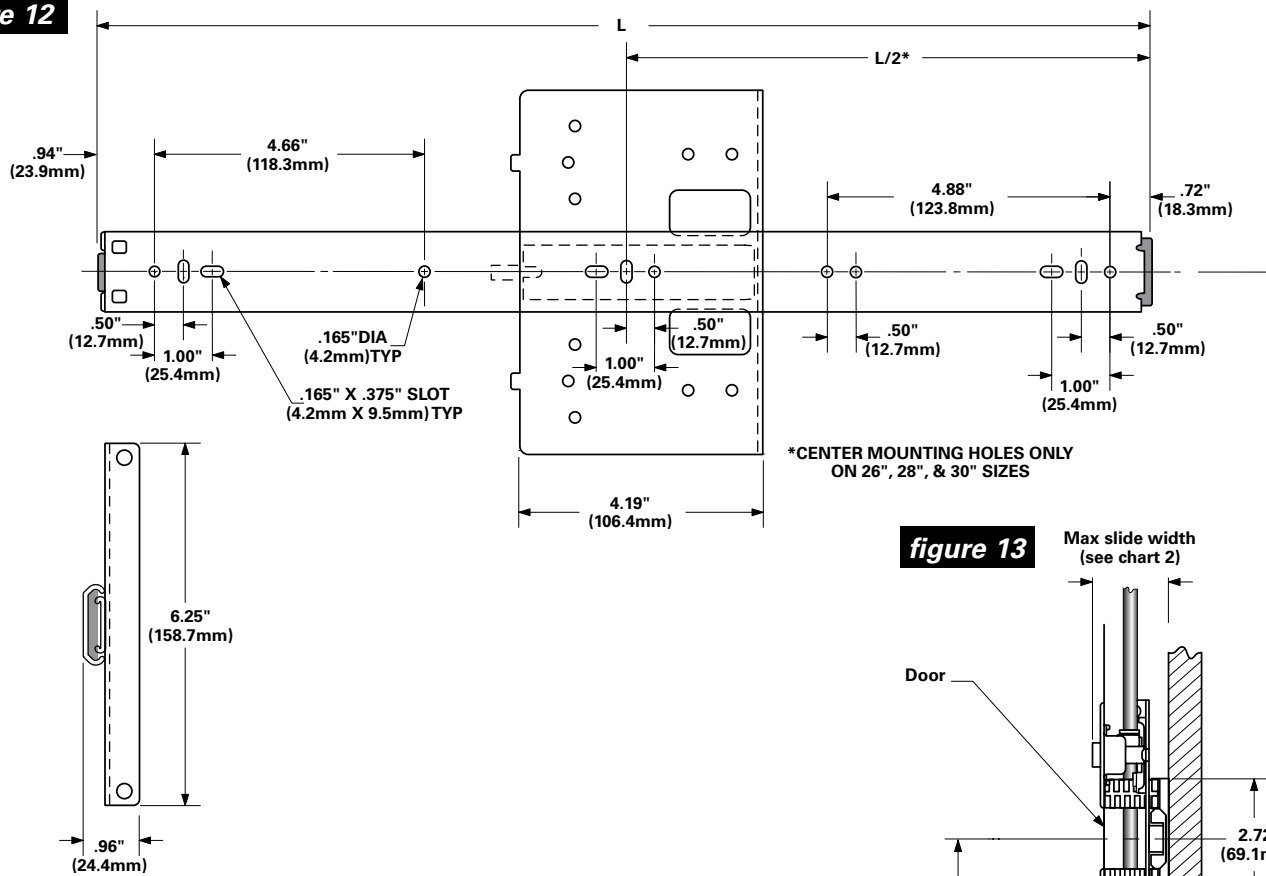


figure 13

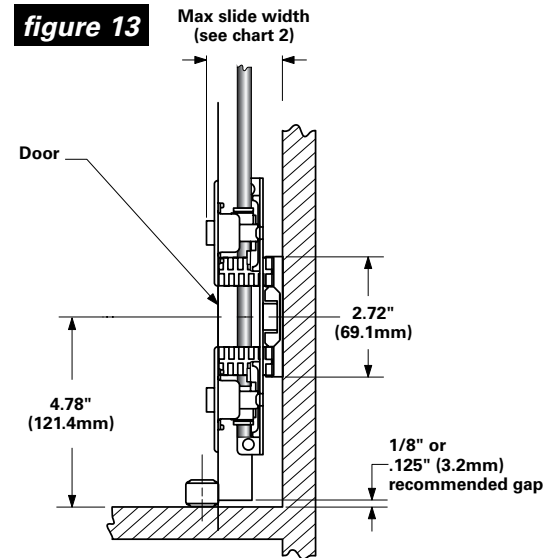


chart 1

Size	L	L/2*	Approx. Door Conceal**	Approx. Cabinet Depth***
12"	12-1/8"	-	8"	12-3/8"
13"	13-1/8"	-	9"	13-3/8"
14"	14-1/8"	-	10"	14-3/8"
15"	15-1/8"	-	11"	15-3/8"
16"	16-1/8"	-	12"	16-3/8"
18"	18-1/8"	-	14"	18-3/8"
20"	20-1/8"	-	16"	20-3/8"
22"	22-1/8"	-	18"	22-3/8"
24"	24-1/8"	-	20"	24-3/8"
26"	26-1/8"	13-1/16"	22"	26-3/8"
28"	28-1/8"	14-1/16"	24"	28-3/8"
30"	30-1/8"	15-1/16"	26"	30-3/8"

* Center mounting holes only on 26", 28", & 30" sizes
 ** Door fully retracted into case
 *** Add thickness of door to determine minimum

figure 14

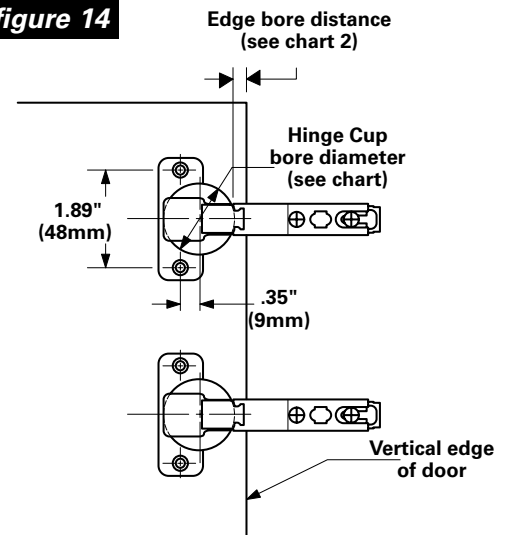


chart 2

Hinge Options	Hinge Description	Door Thickness	Edge Bore*	Hinge Cup Bore Dia.	Hinge Cup Bore Depth	Maximum Slide Width Including Hinge For Partition Installations	Partial Overlay
8080	Standard Hinge	3/4" (19mm)	1/4" (6mm)	1-3/8" (35mm)	11.8 mm	1-25/32" (45.2mm)	N/A
8080FS	Standard Hinge w/Free Swing Knuckle	3/4" (19mm)	1/4" (6mm)	1-3/8" (35mm)	11.8 mm	1-25/32" (45.2mm)	N/A
8080L	Overlay Door	3/4" (19mm)	3/8" (9.5mm)	1-37/64" (40mm)	13.2 mm	1-25/32" (45.2mm)	1/4" (6.3mm)
8085	Thick Door	1" (25.4mm)	5/16" (8mm)	1-37/64" (40mm)	13.2 mm	2-5/32" (54.8mm)	N/A
8086	Extra Thick Door	1-1/4" (32mm)	1/2" (12.7mm)	1-37/64" (40mm)	13.2 mm	2-15/32" (61.9mm)	N/A

*Edge bore distances shown are approximate. Always bore a test block to verify hinge cup locations.

Accessories

Hinge Options	Hinge Description	Hinge Kits (2 hinges w/screws)	Hinge Pack (40 hinges w/o screws)
8080	Standard Hinge	8080 HKEZSEB	8080 HPEZSEB
8080FS	Standard Hinge w/Free Swing Knuckle	8080 HKEZFEB	8080 HPEZFEB
8080L	Overlay Door	8080 HKEZLEB	8080 HPEZLEB
8085	Thick Door	8085 HKEZTEB	8085 HPEZTEB
8086	Extra Thick Door	8086 HKEZXEB	8086 HPEZXEB

Pinion Shaft Options	Description	Pack Qty
8092SB EB 36	Pinion Shaft 36" Ebony Black	2
8092SB EB 48	Pinion Shaft 48" Ebony Black	2
8092SB EB 72	Pinion Shaft 72" Ebony Black	2

Cabinet Roller	Description	Poly Pack Qty	Master Carton Qty
8090P CR	Panel Door Cabinet Roller	1 ea.	20 ea.

Limited Lifetime Warranty

Knape & Vogt Manufacturing Company guarantees its drawer slides and builder's hardware products against failure or defects for so long as the purchaser or end user owns them. This warranty is void if any damage to the product is due to misuse, neglect, accident, improper installation or any uses contrary to the instructions accompanying the product. This warranty covers the cost of the defective part and not the cost of removal, installation or other incidental charges. The foregoing are the purchaser's exclusive remedies. Knape & Vogt Manufacturing Company assumes no liability for special or consequential damages.

Replacement product may be obtained by returning the product, transportation charges prepaid, together with a receipt of purchase or other documents acknowledging the sale of the product to the Knape & Vogt Manufacturing Company, Attention: Customer Service Department.

The warranty set forth above is in lieu of any other warranties, express or implied, including warranties of merchantability and fitness for use.



KNAPE & VOGT®

2700 Oak Industrial Drive NE
 Grand Rapids, MI 49505
 800.253.1561 • 616.459.3311 • fax 616.459.3290
www.knapeandvogt.com