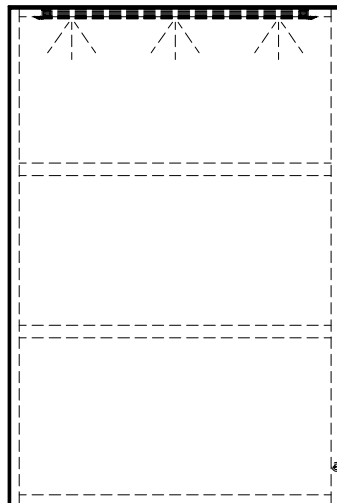


SCENARIOS OF CABINET LIGHTING; SCENARIO ONE

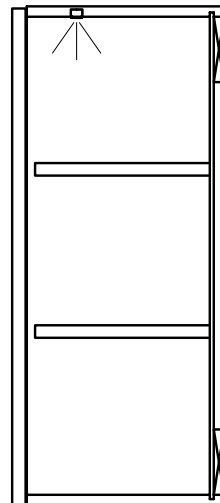


One Door Cabinet w/ Interior Top Strip Light and a Door Sensor Switch

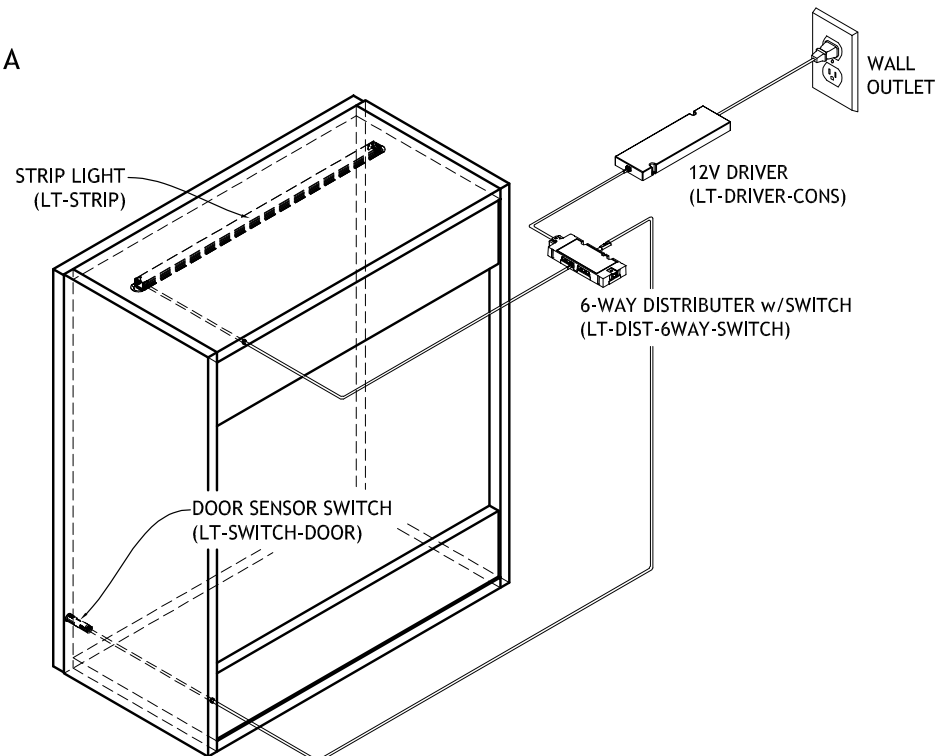
- 1 DOOR CABINET w/INTERIOR TOP STRIP LIGHT AND A SENSOR SWITCH, SENSOR SWITCH AND LIGHT SWITCH ARE PLUGGED INTO A 6-WAY w/SWITCH SO THAT ALL LIGHTS ATTACHED TO THE 6-WAY w/SWITCH ARE CONTROLLED BY THE DOOR SENSOR SWITCH



FRONT VIEW



SECTION VIEW



BACK ISOMETRIC VIEW