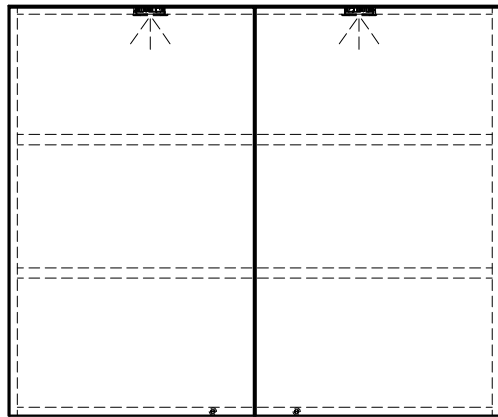


# SCENARIOS OF CABINET LIGHTING: SCENARIO TWO

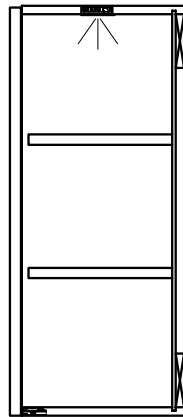


## Two Door Cabinet w/ Two Puck Light and Door Sensor Switches

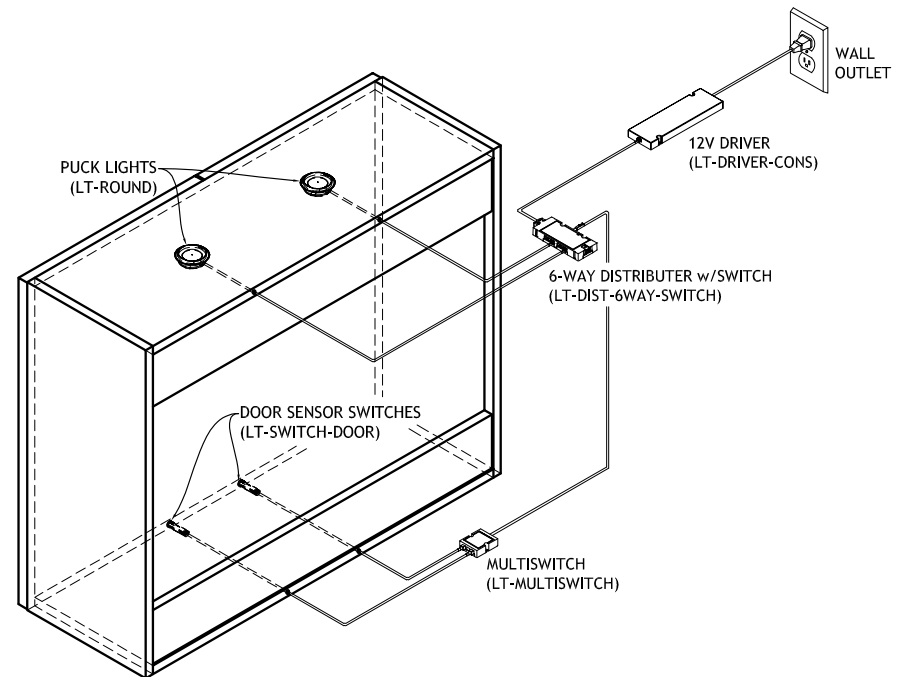
- 2 DOOR CABINET w/2 PUCK LIGHTS AND A SENSOR SWITCH FOR EACH DOOR, SENSOR SWITCHES AND LIGHTS ARE LINKED SO THAT BOTH LIGHTS GO ON WHEN ONLY ONE DOOR IS OPEN



FRONT VIEW



SECTION VIEW



BACK ISOMETRIC VIEW