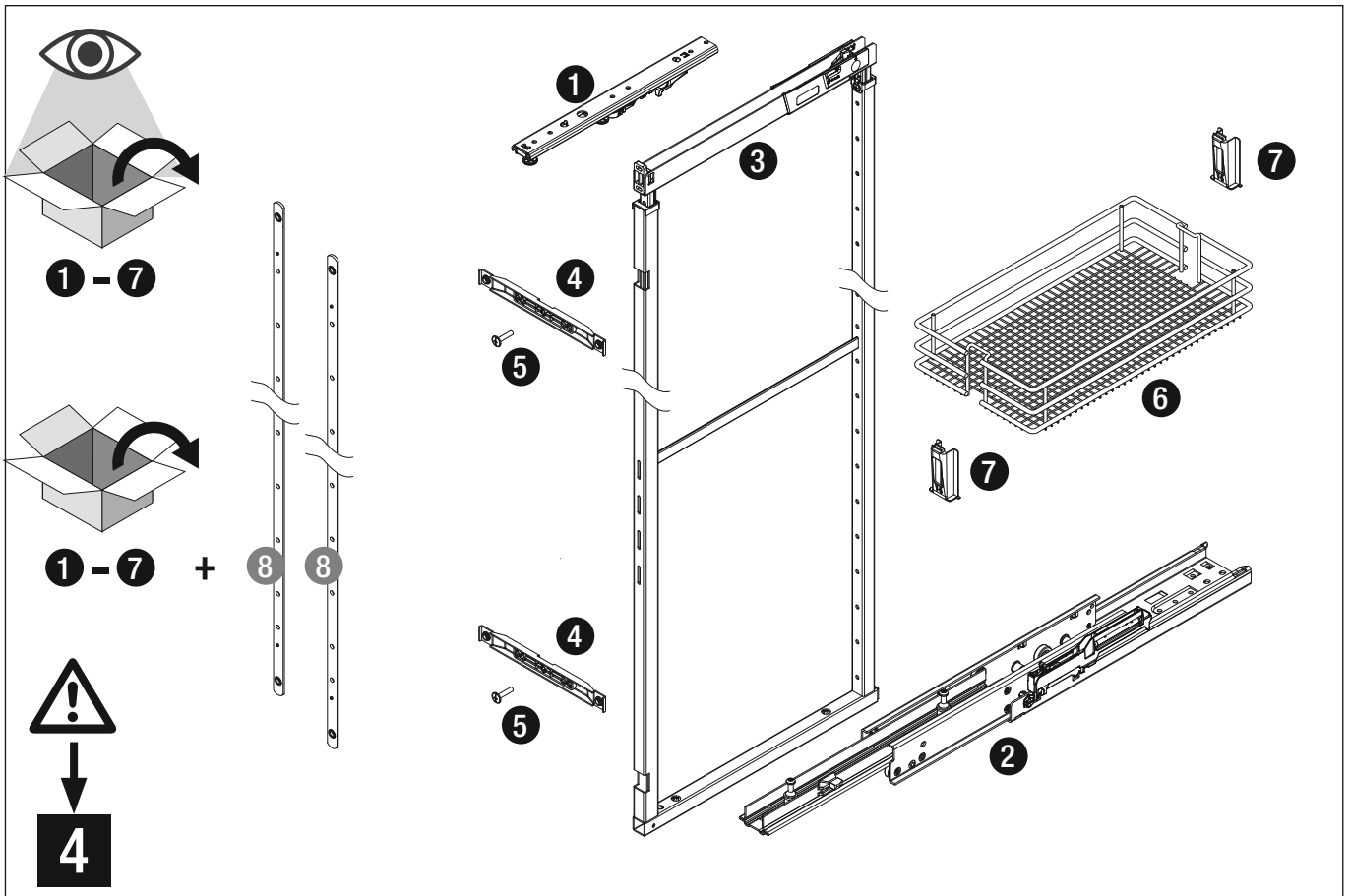
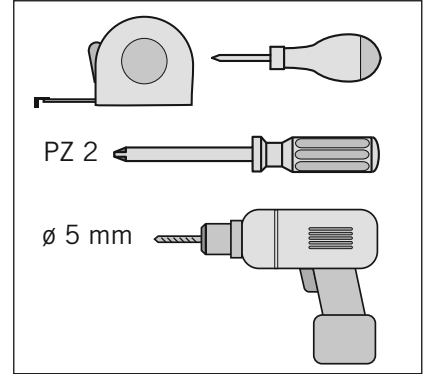
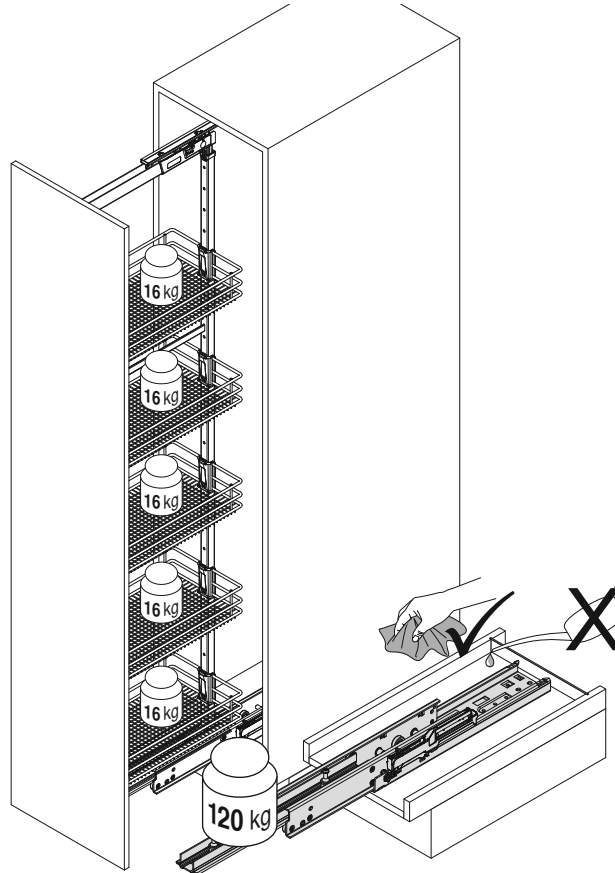
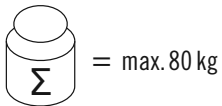
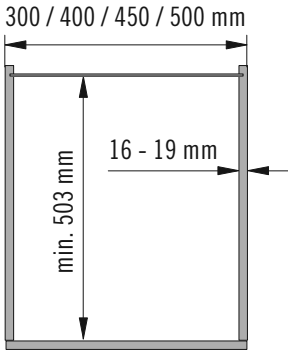
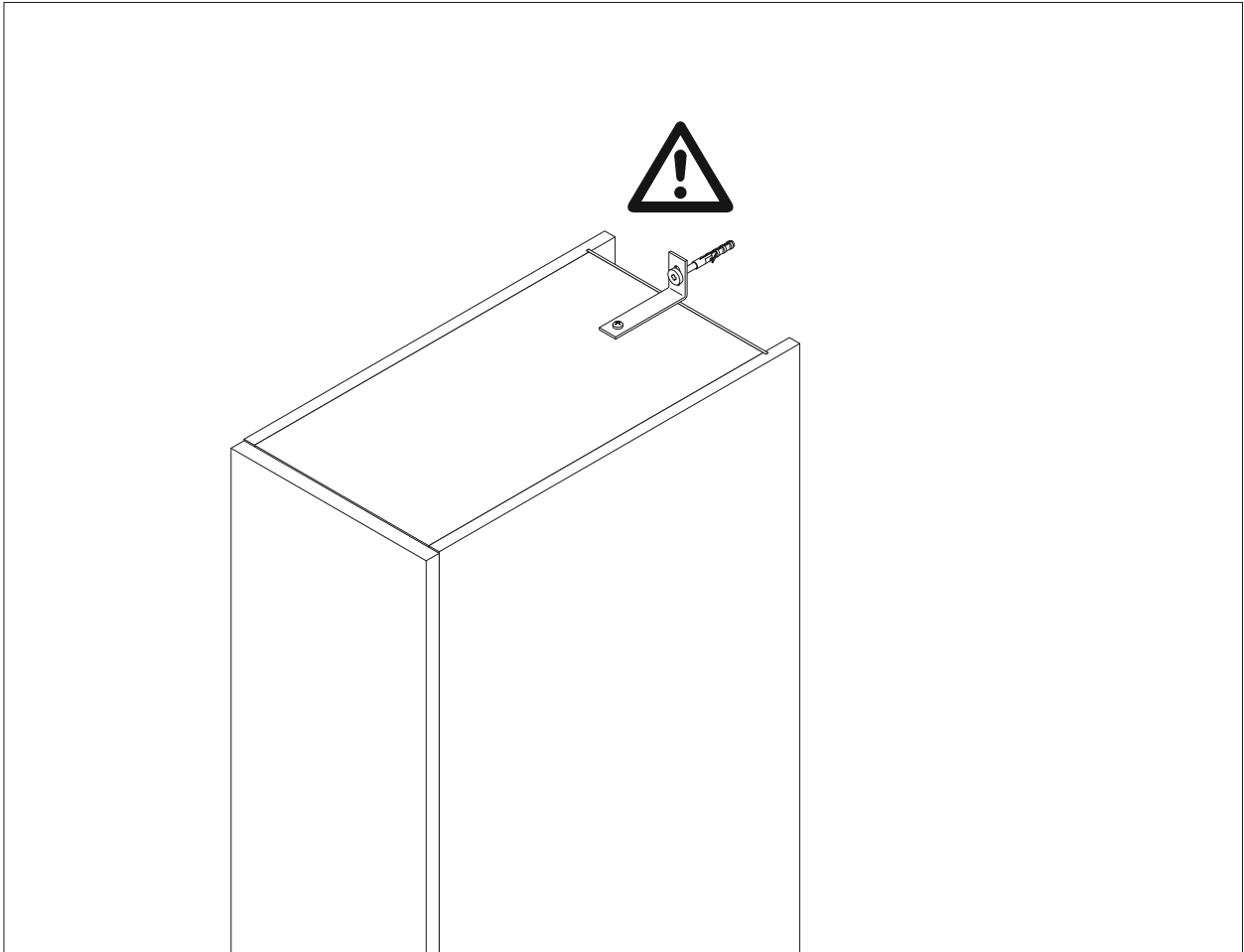
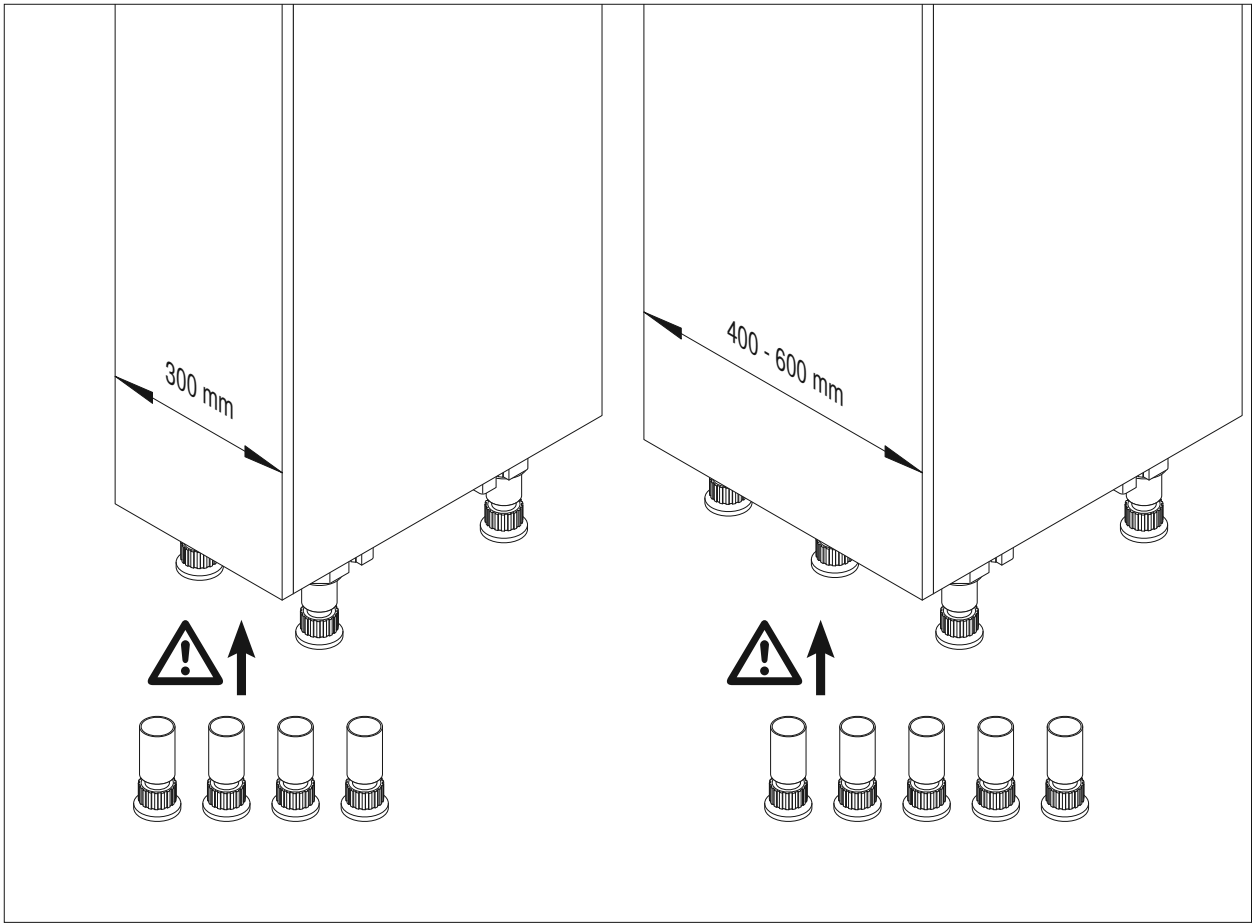


01 / 2021



VS TAL[®] Larder

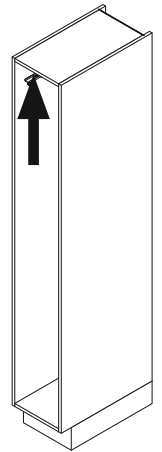
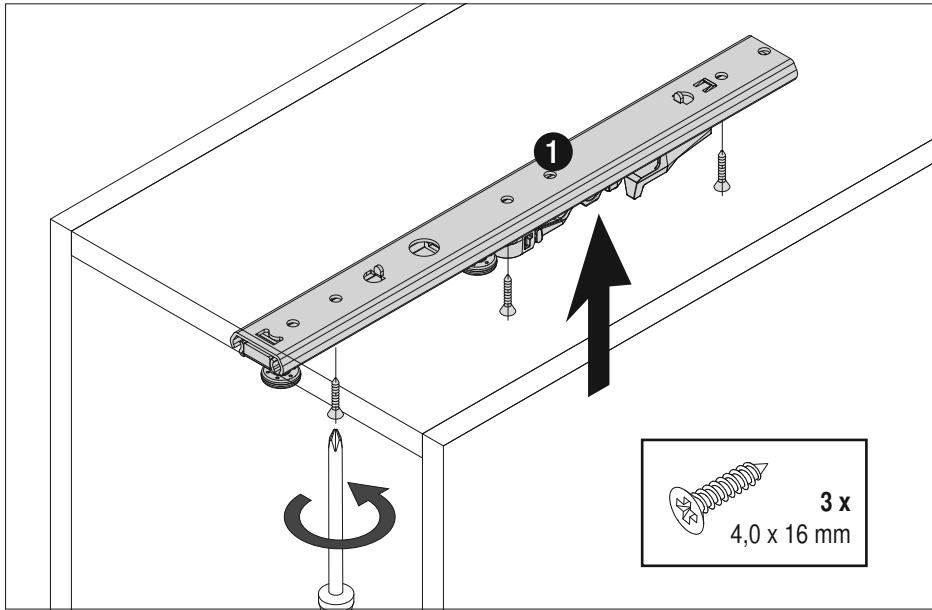




1



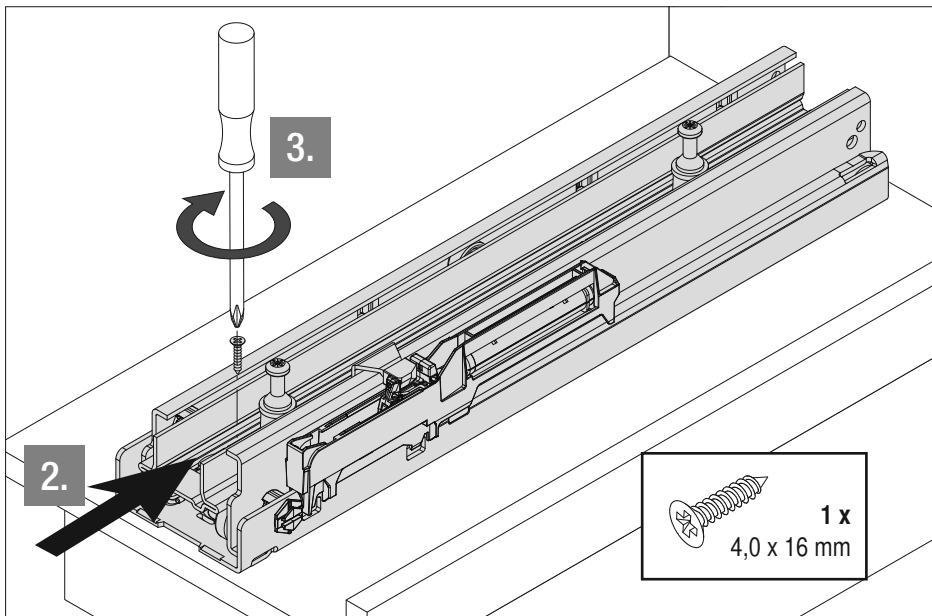
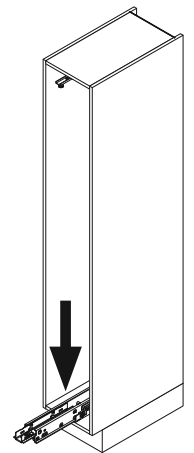
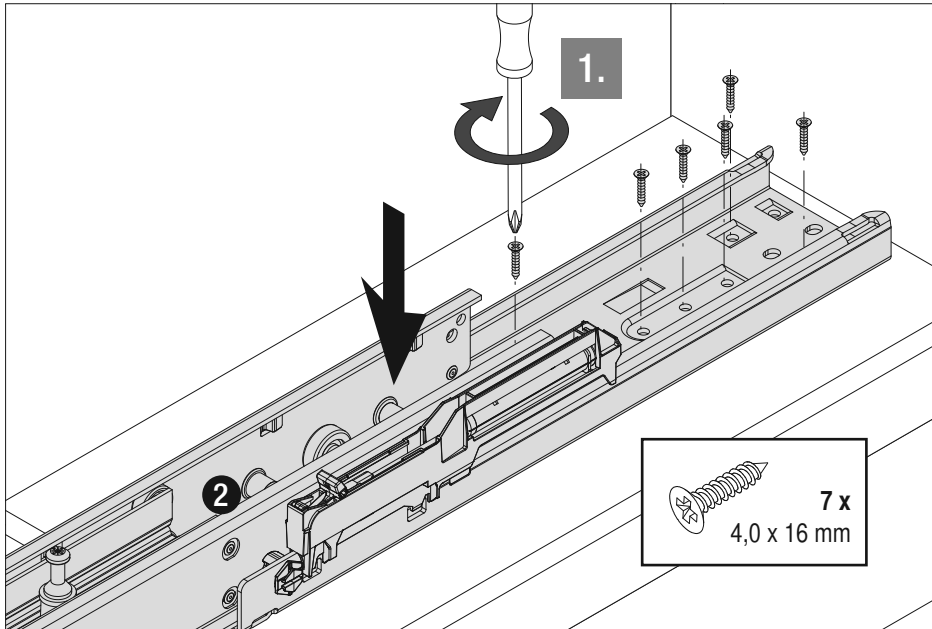
A



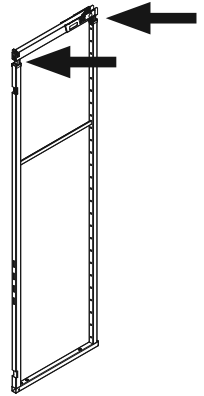
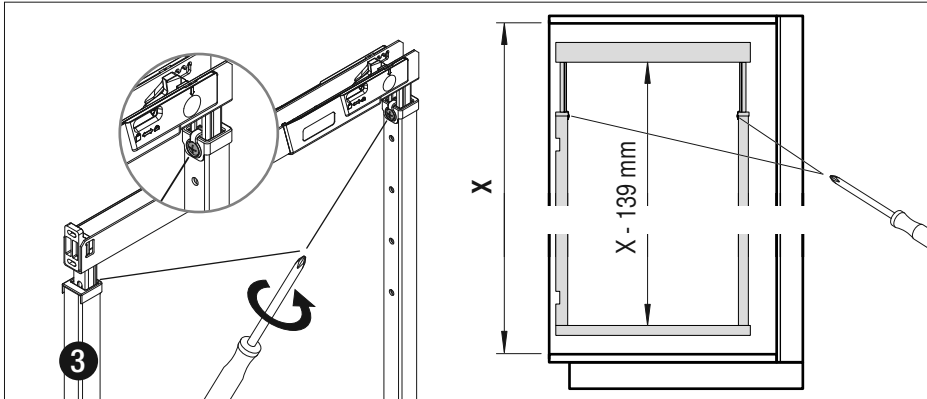
2



B



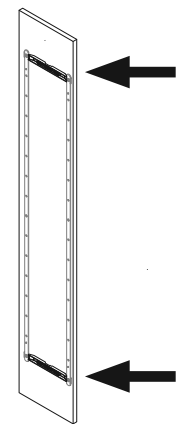
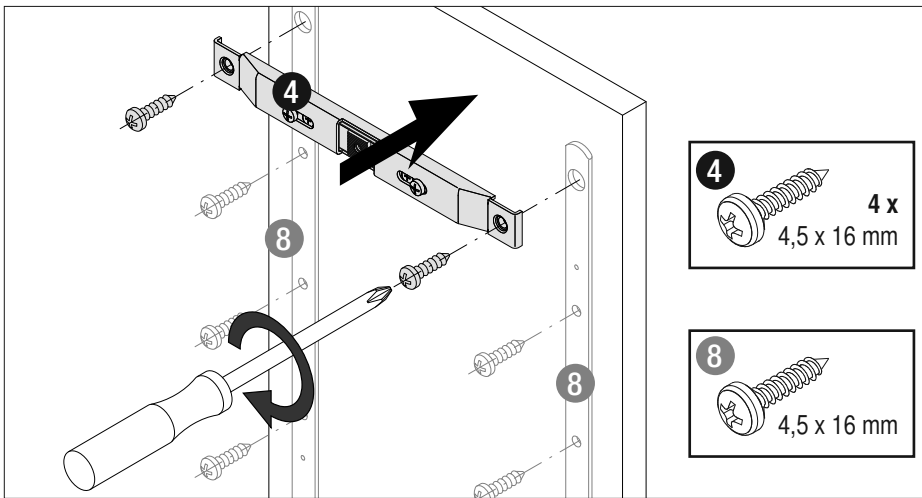
3



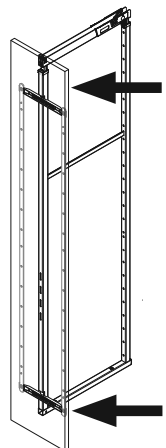
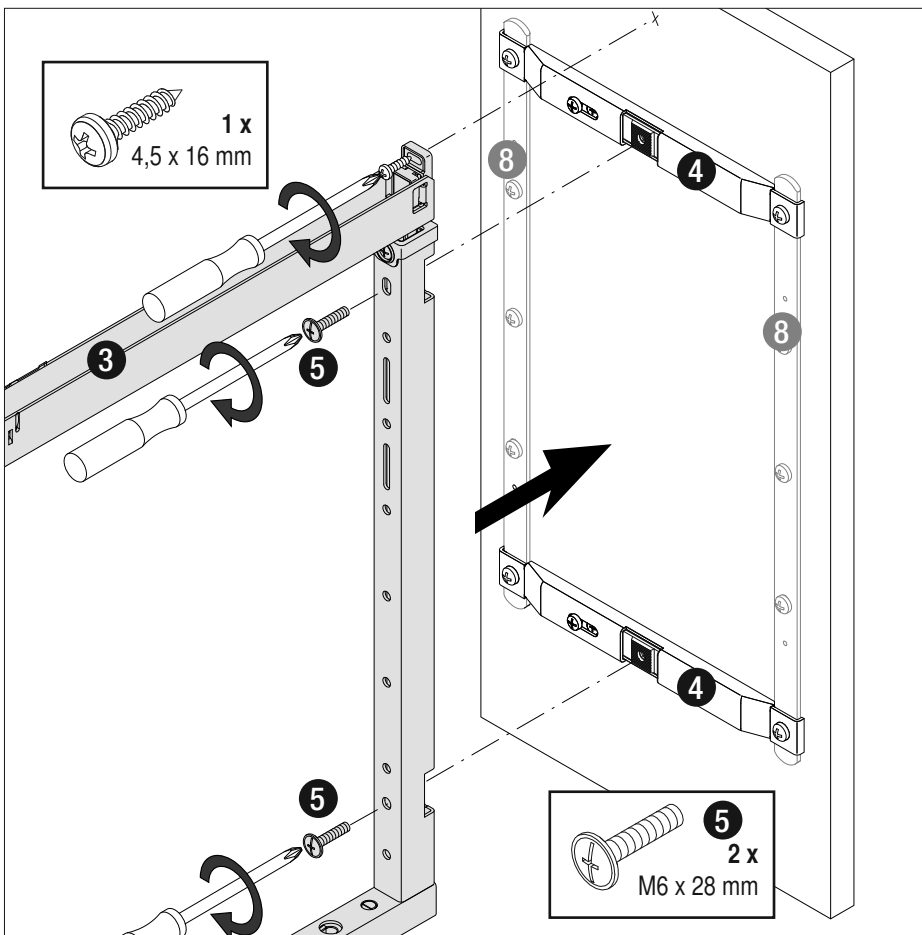
4



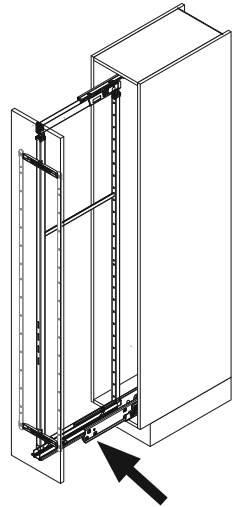
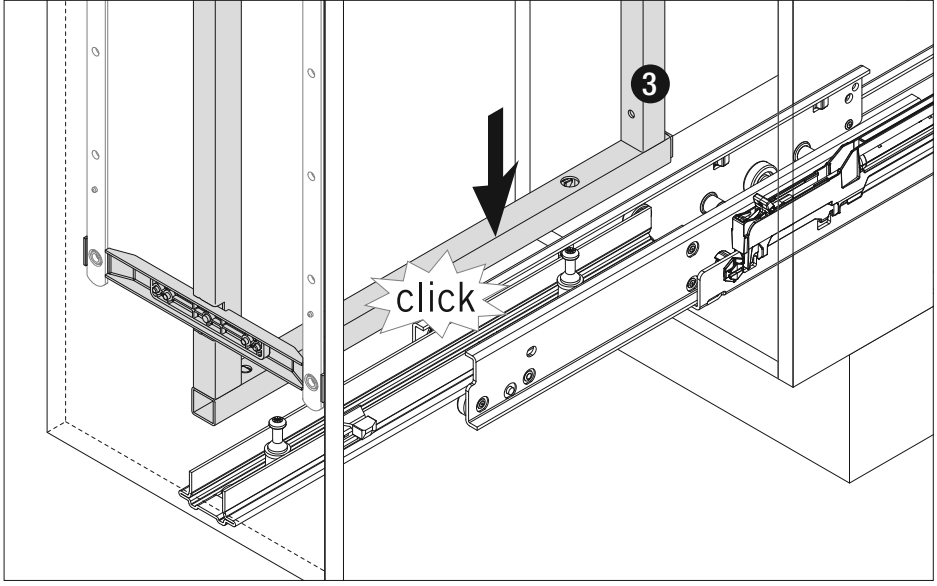
C



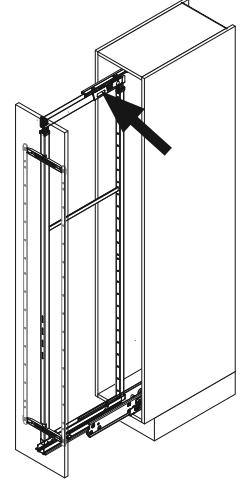
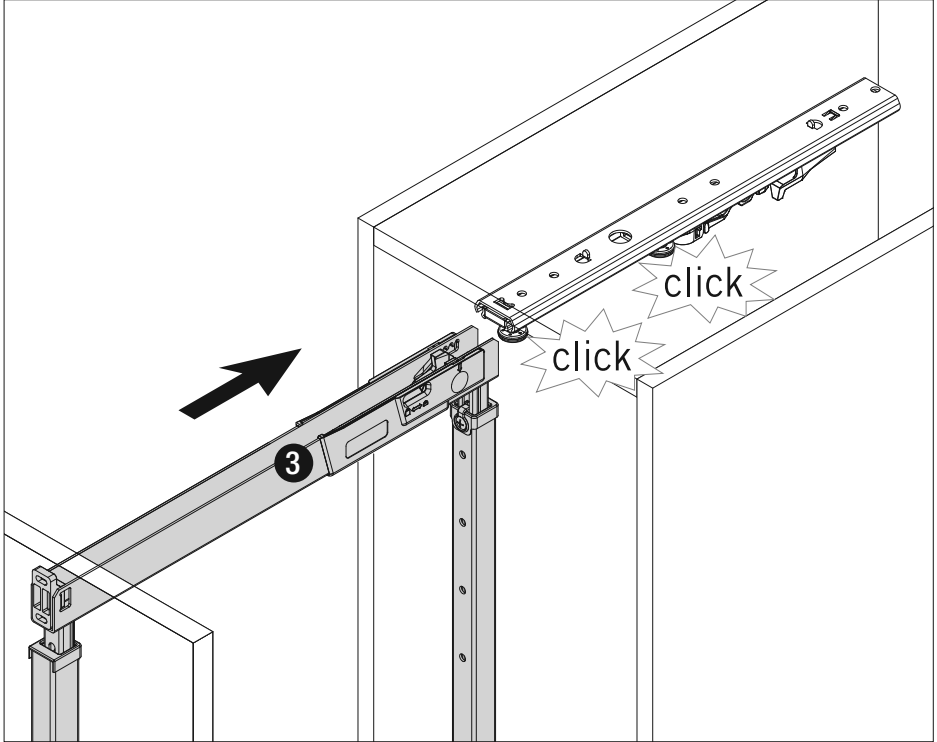
5



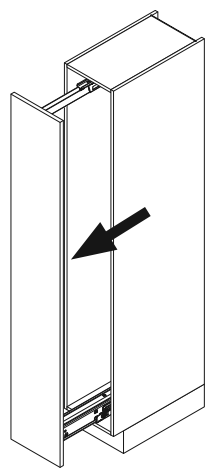
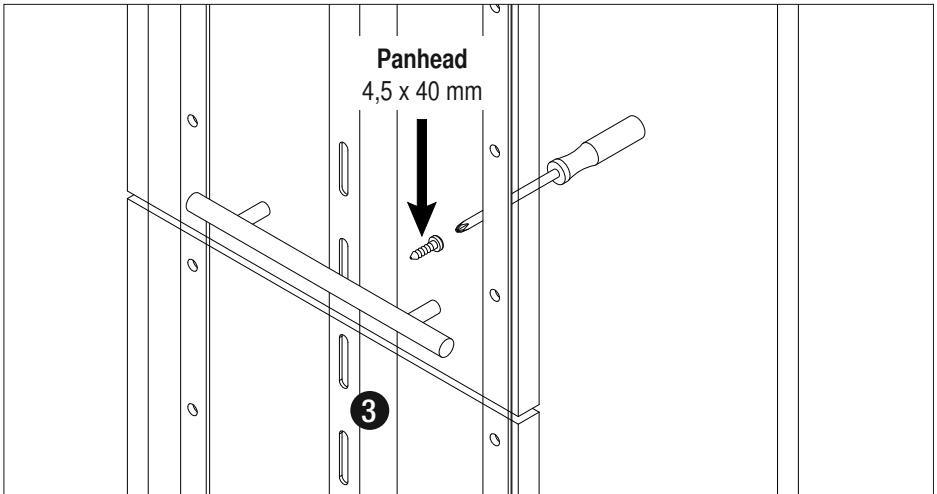
6



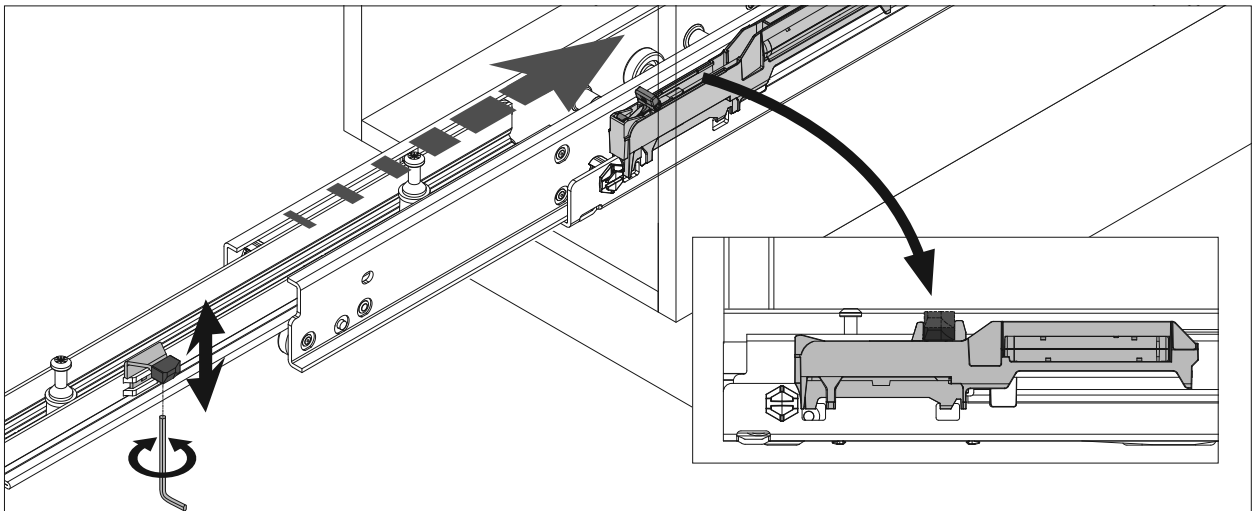
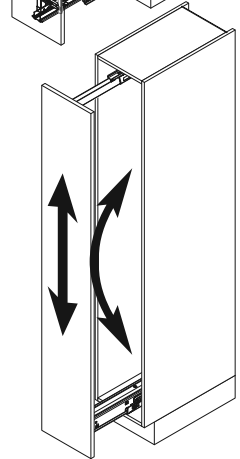
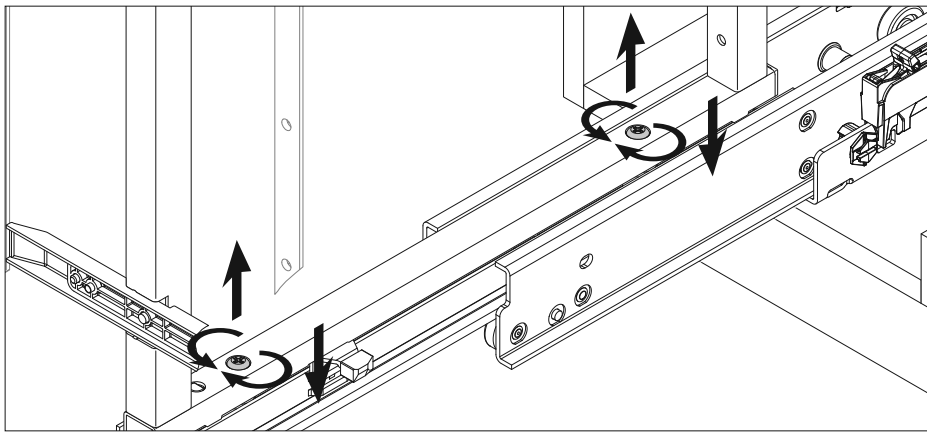
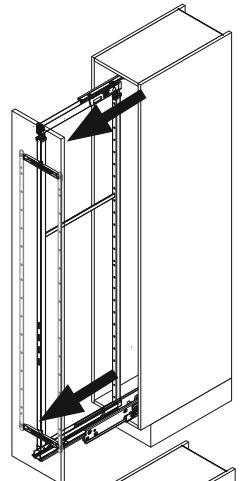
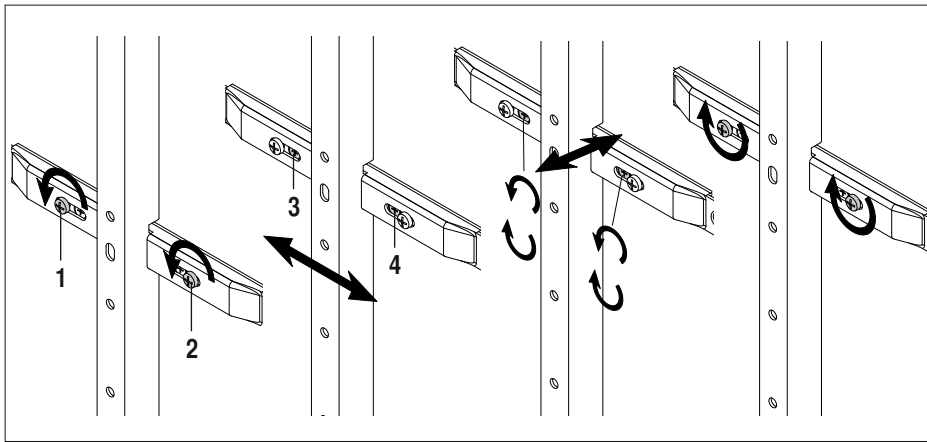
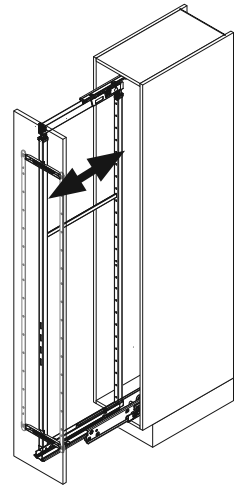
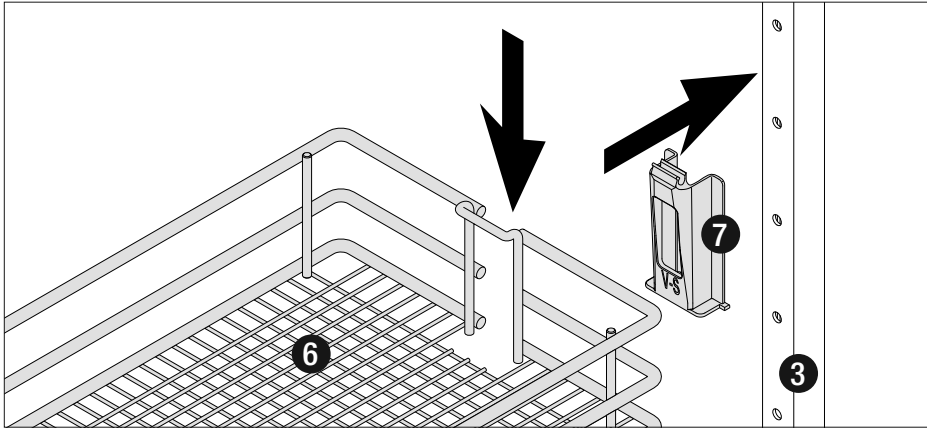
7



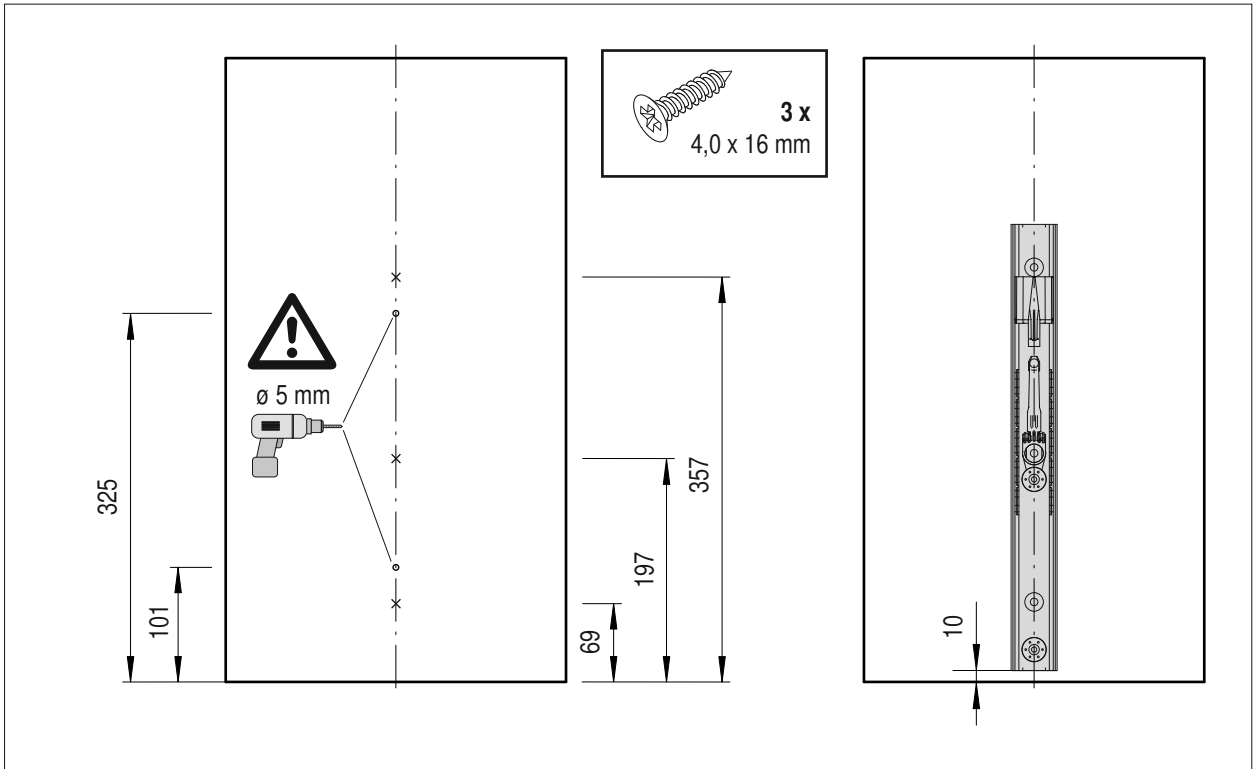
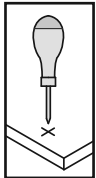
8



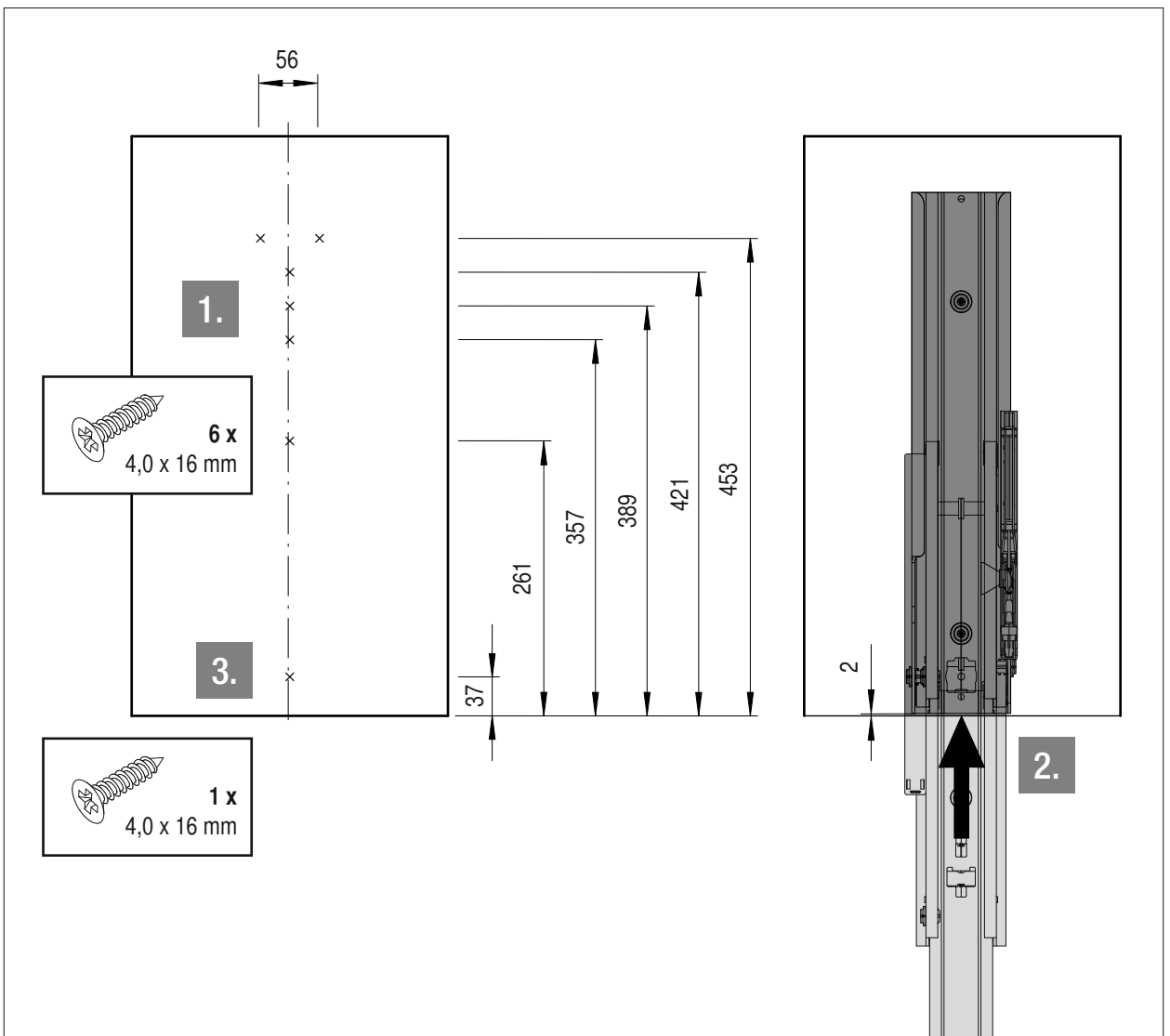
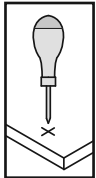
8

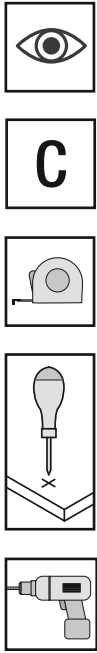


A



B





A	X	Z
300	232	257
400	325	350
450	375	400
500	425	450

VS TAL Larder	E	F	G	H	I
1	64	96	2 x 96	256	384
2	64	128	4 x 96	512	640
3	64	112	7 x 96	768	896
4	64	96	10 x 96	1024	1152
5	64	128	12 x 96	1280	1408
6	64	96	14 x 96	1408	1536
7	64	96	16 x 96	1600	1728



- Step 1: Inserting the top rail into the cabinet frame.
- Step 2: Pushing the top rail into the cabinet frame.
- Step 3: Pushing the top rail into the cabinet frame.
- Step 4: Pushing the top rail into the cabinet frame.
- Step 5: Pushing the top rail into the cabinet frame.

