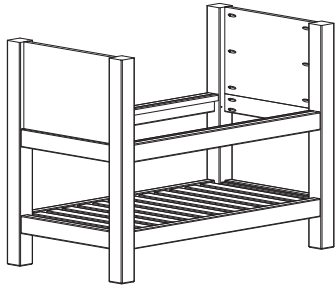
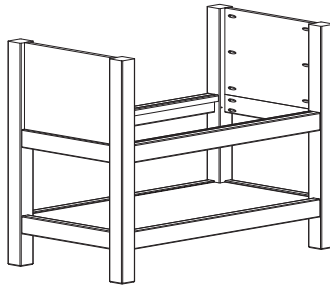


CONSOLE VANITY CONFIGURATIONS



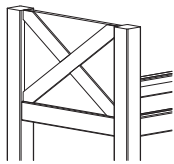
VBCF__-SLAT

Vanity Base Console Frame, Slatted Shelf



VBCF__-PLAIN

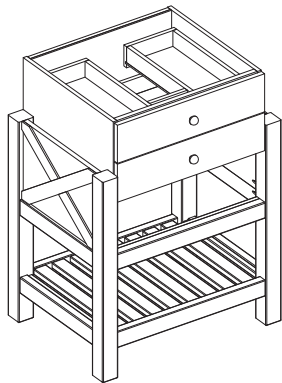
Vanity Base Console Frame, Plain Shelf



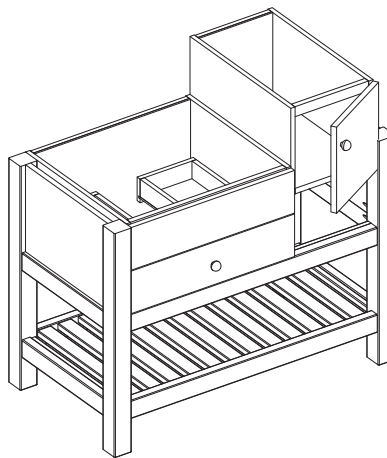
VBCFX

*Vanity Base Console
Frame X Application (modification)*

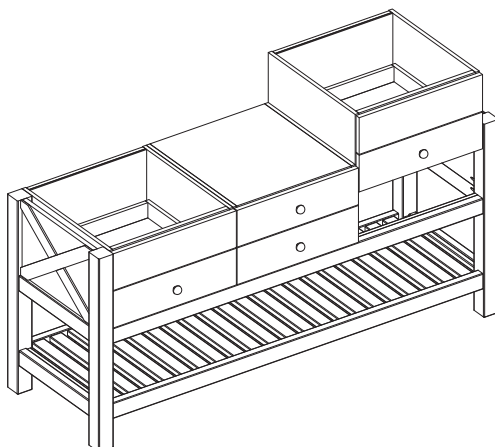
Examples of possible configurations:



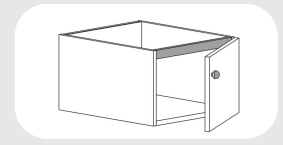
Single Cabinet Configuration



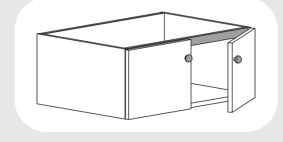
Double Cabinet Configuration



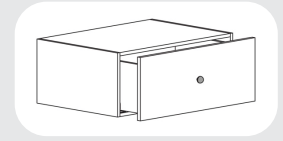
Triple Cabinet Configuration



VBC__
Vanity Base, Console, 1 Door



VBC__
Vanity Base, Console, 2 Doors



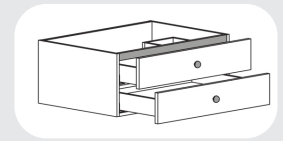
VBC__-D
Vanity Base, Console, 1 Drawer



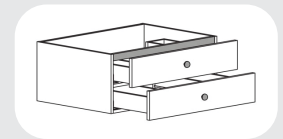
VBC__-UD1
Vanity Base, Console, 1 U-Shaped Drawer



VBC__-D2
Vanity Base, Console, 2 Drawers



VBC__-UD1D1
Vanity Base, Console, 1 U-Shape 1 Drawer



VBC__-UD2
Vanity Base, Console, 2 U-Shaped Drawers



VBC__-D-FF
Vanity Base, Console, 1 Drawer 1 False Front



VBC__-UD1-FF
Vanity Base, Console, 1 U-Shaped Drawer 1 False Front

Release Date: October 17, 2019. Revised: September, 2020

CONSOLE VANITY FRAME INSTALLATION INSTRUCTIONS



TOOLS NEEDED:

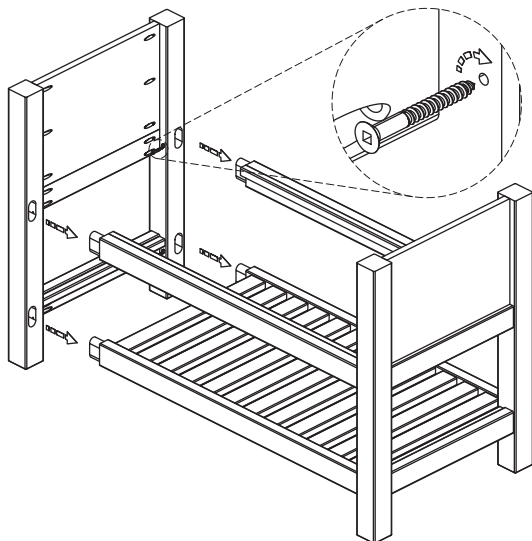
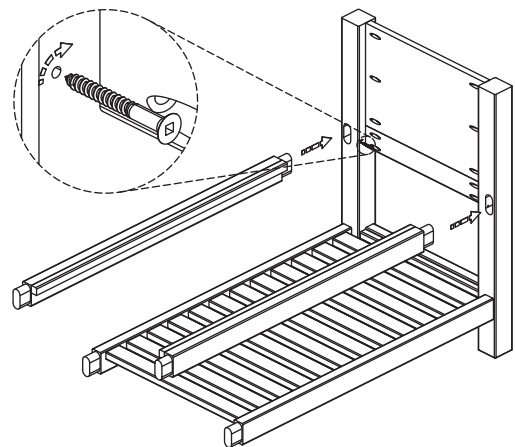
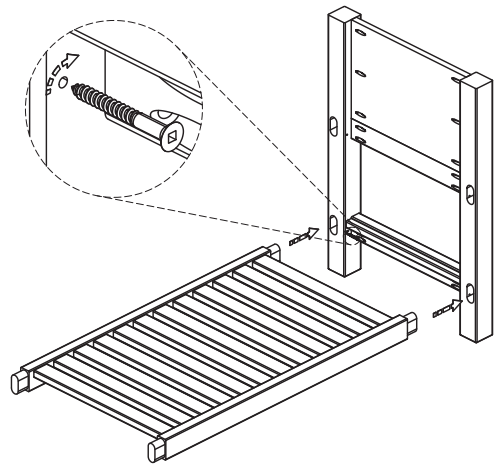
- Wood glue
- Eight (8) set screws #8 x 2"
- Screwdriver or hand drill
- Wet rag or towel

1. Apply glue to interior perimeter of all four (4) mortises of one console frame side.

2. Insert shelf tenons into lower mortises and insert set screws. Wipe excess glue.

3. Insert support rail tenons into upper mortises and insert set screws. Wipe excess glue.

4. Apply glue to interior perimeter of all four (4) mortises and second console frame side.



5. Insert shelf tenons AND support rail tenons into mortises and insert set screws. Wipe excess glue.